

# Hisense

life reimagined



## USER'S OPERATION MANUAL

Before operating this unit, please read this manual thoroughly, and retain for future reference.

This is a short version of the User's Manual. For more information, please scan the QR code above to view the full version of the manual.

### NOTE:

1. Please adjust your mobile or tablet device to portrait mode during the browsing of electronic manuals to achieve the best viewing experience.
2. To ensure a smooth experience with the download feature of the electronic manuals, we recommend using Google Chrome, Microsoft Edge, or the Safari browser.

EN

English

## SAFETY AND WARNING INFORMATION

### Before using the appliance for the first time

Before connecting the appliance to the power mains, please read carefully the instructions for use which describe the appliance and its correct and safe use. The instructions apply to several appliance types/models; thus, settings or equipment may be described herein which is not available in your appliance. We recommend saving this instruction manual for future reference and attach it to the appliance if it is sold in the future.

Check for any damage or irregularities on your appliance. If you find your appliance is damaged, notify the retailer from which you have purchased the appliance.

Before connecting the appliance to the power mains, let the appliance rest in a vertical position for a minimum of 2 hours. This will reduce the possibility of operation faults due to the effect of transport on the cooling system.

### Important safety instructions



#### WARNING

#### Risk of fire/flammable materials

The appliance must be connected to the power mains and grounded in compliance with the effective standards and regulations.

**WARNING!** Do not locate multiple portable socket-outlets or portable power supplies at the rear of the appliance.

Before cleaning the appliance, unplug it from the power mains (unplug the power cord from the wall outlet).

**⚠ WARNING!** If the supply cord is damaged, it must be replaced by the manufacturer, its service agent or similarly qualified persons in order to avoid a hazard.

**⚠ WARNING!** When positioning the appliance, ensure the supply cord is not trapped or damaged.

**⚠ WARNING!** The LED light must not be replaced by the user! If the LED light is damaged, contact the customer helpline for assistance.

## SAFETY AND WARNING INFORMATION

**⚠ WARNING!** Do not use electrical appliances inside the food storage compartments of the appliance, unless they are of the type recommended by the manufacturer.

**⚠ WARNING!** Do not use mechanical devices or other means to accelerate the defrosting process, other than those recommended by the manufacturer.

**⚠ WARNING!** To avoid any hazard resulting from poor stability of the appliance, make sure it is installed as instructed.

### Freeze burn hazard

To avoid freeze burn, never put frozen food in your mouth and do not touch frozen food.

### Safety of children and vulnerable persons

The appliance is not intended for use by persons (including children) with reduced physical, sensory or mental capabilities, or lack of experience and knowledge, unless they have been given supervision or instruction concerning use of the appliance by a person responsible for their safety.

Children should be supervised to ensure that they do not play with the appliance.

Cleaning and user maintenance shall not be made by children without supervision.

Remove the packaging intended to protect the appliance or particular parts during transport and keep it outside the reach of children. It presents danger of injury or suffocation.

When removing a used appliance, disconnect the power cord, remove the door, and leave the shelves in the appliance. This will prevent children from locking themselves in the appliance.

### For European markets only

This appliance can be used by children aged from 8 years and above and persons with reduced physical, sensory or mental capabilities or lack of experience and knowledge if they have been given supervision or instruction concerning use of the appliance in a safe way and understand the hazards involved.

Children shall not play with the appliance.

## SAFETY AND WARNING INFORMATION

Cleaning and user maintenance shall not be made by children without supervision.

Children aged from 3 to 8 years are allowed to load and unload refrigerating appliances.

### **Warning regarding the refrigerant**

The appliance contains a small amount of an environmentally friendly yet flammable gas R600a. Make sure that no parts of the cooling system are damaged. A gas leak is not hazardous to the environment, but it could cause eye injury or fire.

In case of a gas leak, ventilate the room thoroughly, disconnect the appliance from the power mains, and call a service technician.

### **Important information on the use of appliance**

**WARNING!** This appliance is intended to be used in household and similar applications such as:

- staff kitchen areas in shops, offices and other working environments;
- farm houses and by clients in hotels, motels and other residential type environments;
- bed and breakfast type environments;
- catering and similar non-retail applications.

**⚠ WARNING!** Keep ventilation openings, in the appliance enclosure or in the built-in structure, clear of obstruction.

The appliance may not be used outdoors and it may not be exposed to rain.

Do not store explosive substances such as aerosol cans with a flammable propellant in this appliance.

If the appliance will be out of use for an extended period of time, switch it off using the relevant button, and unplug it from the power mains. Empty the appliance, defrost it, clean it, and leave the door ajar.

In case of an error or power supply failure, do not open the freezer compartment unless the freezer has not operated for over 16 hours. After this period, use the frozen food or provide sufficient cooling (e.g. a replacement appliance).

### **Technical information on the appliance**

Rating plate can be found in the appliance interior. It indicates data on voltage, gross and net volume, type and amount of refrigerant, and information on the climate classes.

## SAFETY AND WARNING INFORMATION

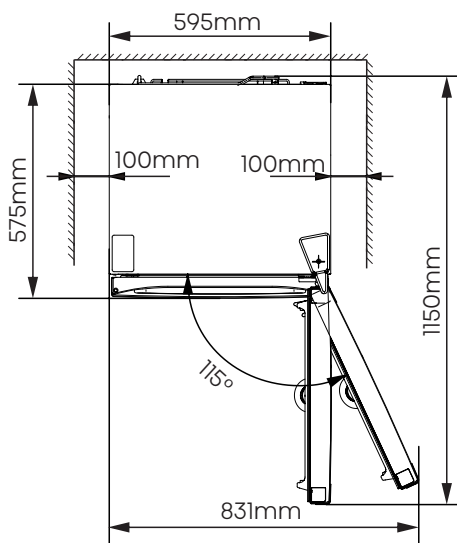
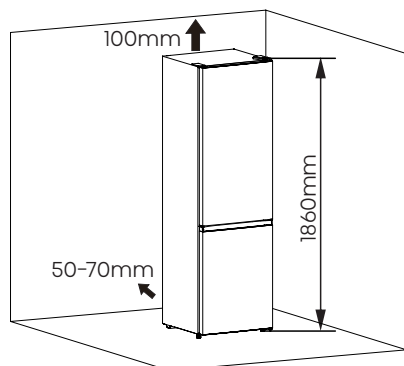
If the language on the rating plate is not the language of your choice or the language of your country, replace it with the one supplied.

**⚠ WARNING!** Do not damage the refrigerant circuit.

## INSTALLING YOUR NEW APPLIANCE

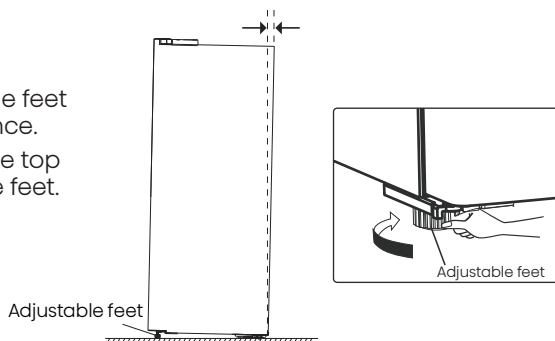
- Stand your appliance in a dry and well ventilated place. Keep the appliance out of direct sunlight, rain or frost.
- The diagram shows the temperature range of each climate class. The climate class of this appliance is specified on the rating plate. Use beyond this range may result in poor performance.
- Sufficient clear space should be available around the appliance to facilitate ventilation and heat dissipation.
- Suggested space is indicated in the figure.

Climate class	Ambient temperature
SN	+10°C to +32°C
N	+16°C to +32°C
ST	+16°C to +38°C
T	+16°C to +43°C



### Leveling of appliance (if needed):

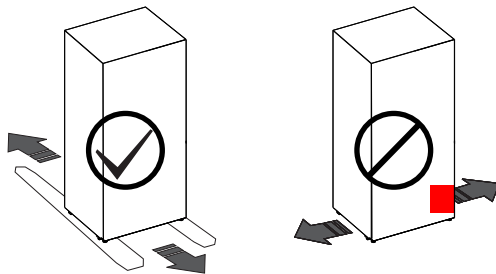
- The figure is for reference only.
- The appliance is fitted with adjustable feet that can be used to level the appliance.
- To allow the doors to self-close, tilt the top backwards by turning the adjustable feet.



## INSTALLING YOUR NEW APPLIANCE

### WARNING

- For proper installation, this refrigerator must be placed on a level surface of hard material that is the same height as the rest of the flooring. This surface should be strong enough to support a fully loaded refrigerator.
- The rollers should be only used for forward or backward movement. Moving the refrigerator sideways may damage your floor and the rollers.



## DESCRIPTION OF THE APPLIANCE

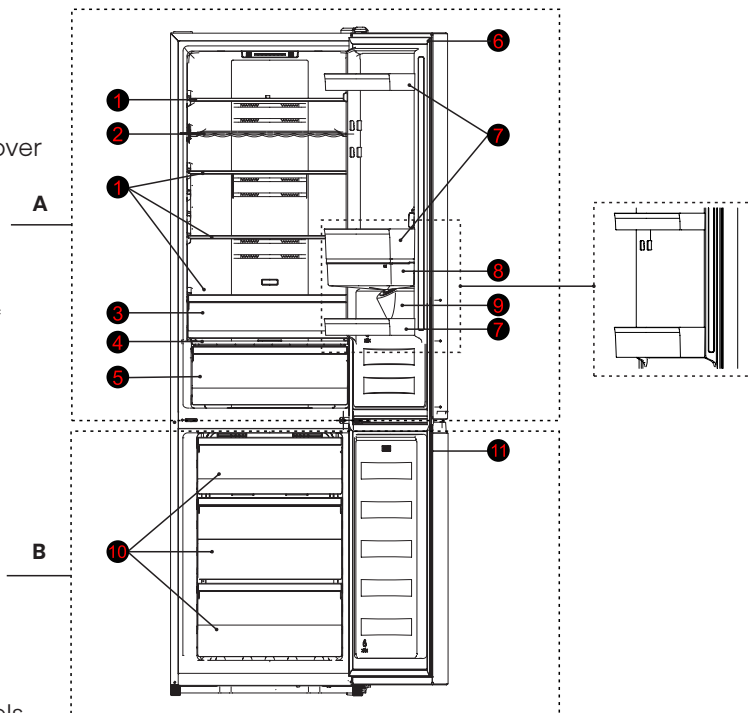
- Appliance interior equipment may change according to the appliance model.
- The diagram may slightly differ from the appliance you purchased, please get more information in the E-manual.

### A: Fridge

1. Glass shelves
2. Bottle Rack \*
3. Drawer
4. Crisper drawer cover
5. Crisper drawer
6. Door gasket
7. Door racks
8. Water tank \*\*
9. Water dispenser \*

### B: Freezer

10. Drawers
11. Door gasket



\* : Only in some models.

\*\* : If the model is without a water dispenser, the water tank is replaced with a door rack.

## CONTROL PANEL

**NOTE:** The control panel may differ by model, so choose according to your appliance. Please refer to the E-manual for more information.

For optimum food preservation, we recommend that when you start your refrigerator for the first time, the temperature for the refrigerator is set to 4°C. If you want to change the temperature, follow the instructions below.

**NOTE:** High temperature setting will accelerate food waste.

### Caution!

When you set a temperature, you set an average temperature for the whole refrigerator cabinet. Temperatures inside each compartment may vary from the temperature values displayed on the panel, depending on how much food you store and where you place them. Ambient temperature may also affect the actual temperature inside the appliance.

### TYPE 1: Display panel in door



#### Fridge

• Press “” to set fridge temperature between 2°C and 8°C as needed, and display panel will display corresponding values according to the following sequence.

#### Super Freeze

Super Freeze will quickly lower the temperature within the freezer so food will freeze faster.

- You can press “” for 3 sec to get into super freeze mode, freezer temperature will be set at -24°C.
- Super freeze automatically switches off after 52 hours and then the freezer temperature setting will revert back to the previous setting.

#### Holiday

If you are going to be away for a long period of time, press “”, you can activate this function.

- When Holiday Mode is activated, the light will be illuminated. The freezer temperature will be set at -18°C and the fridge temperature will be set at 15°C.

### Important!

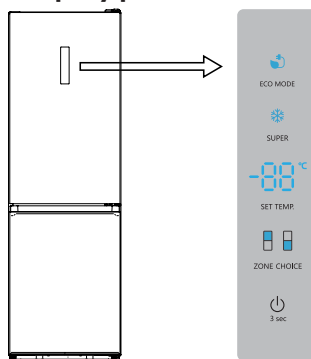
Do not store any food in the fridge during this time.

#### Switch

You can switch on or switch off your appliance by press this button.

- Press “” for 1 seconds, after a buzzer sound, the appliance will be turned on.
- Press “” for 3 seconds, after a buzzer sound, the appliance will be turned off.

### TYPE 2: Display panel on door



#### Fridge

Press “ZONE CHOICE”, the “” light will turn on. Then press “SET TEMP.”, you can set fridge temperature between 2°C and 8°C as needed.

#### Freezer

Press “ZONE CHOICE”, when the “” light turns on. Then press “SET TEMP”, you can set freezer temperature between -14°C and -24°C as needed, and the display panel will display corresponding value according to the following sequence.

#### Super Freeze

Super Freeze will quickly lower the temperature within the freezer so food will freeze faster.

- You can press “SUPER” to get into super freezer mode, freezer temperature will be set at -24°C.

## CONTROL PANEL

- Super freeze automatically switches off after 52 hours and then the freezer temperature setting will revert back to the previous setting.

### Eco energy

This function makes the freezer work in a power saving mode which is useful for reducing energy consumption when you are away.

- You can press "ECO MODE" to get into economic energy mode.
- When economic energy Mode is activated, the freezer temperature will be set at -17°C and the fridge temperature will be set at 6°C.

### Switch

You can switch on or switch off your appliance by press this button.

- Press "⏻" for 3 seconds, after a buzzer sound, meanwhile the digital light shows "OF", the appliance will be turned off.
- Press "⏻" for 3 seconds, after a buzzer sound, the appliance will be turned on.

### Alarm

- When the door of fridge has been opened for over 2 minutes, the door alarm will sound. Buzzer will stop alarming automatically after 8 minutes.
- To save energy, please avoid keeping the door open for a long time.

## USING THE APPLIANCE

**NOTE:** This feature is only available on models with water dispenser.

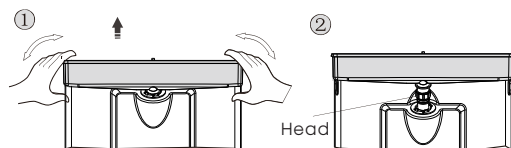
### Water Dispenser

The water dispenser provide chilled water without opening the refrigerator.

#### Before using

Clean the water dispenser before using it for the first time.

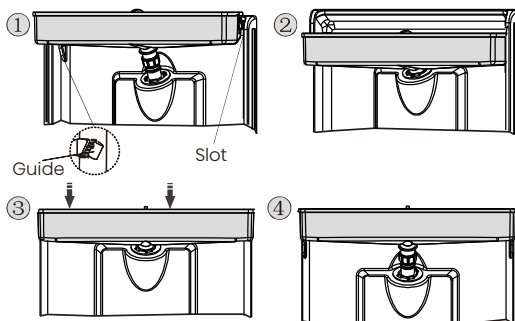
1. Remove the water tank by holding its two sides and shaking it.
2. Unscrew the head, clean it and the inside of the tank (including both lids).
3. Dry it in natural way or using a dryer.



#### Assembling

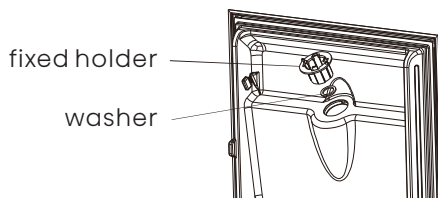
After cleaning, reassemble the parts in reverse order of cleaning and fit them on the door.

1. Insert the head into the hole.
2. Fit the tank along the guides.
3. Press down on the two side of the tank.
4. The installation is completed with a click sound.

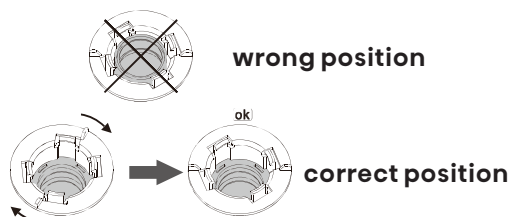


### Warning

1. Be careful not to press on the head.
2. When fitting the water tank, ensure the head inserted into the hole first.
3. If the washer is reversed or loose when removing the tank, first unscrew the fixed holder, reposition the washer, and finally reinstall the holder.

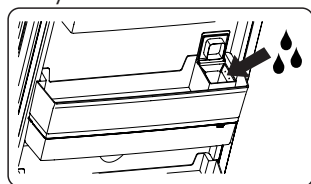


## USING THE APPLIANCE



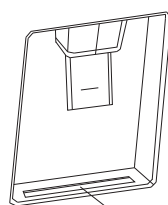
### Filling water

1. Before filling the tank, make sure it's stable and correctly positioned.
2. Fill it up to the suggested 4L to avoid overflow, either by removing the small lid and filling through the large lid's inlet, or by removing the tank cover and filling directly.



### Warning

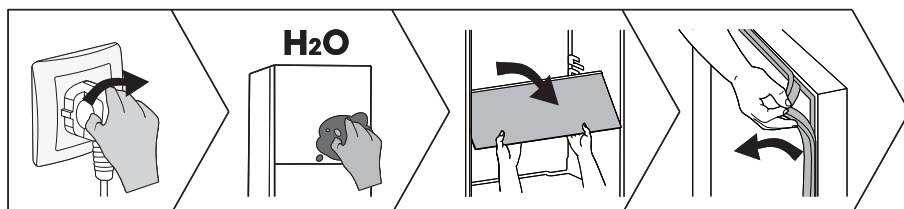
1. Other beverages (milk, juice, carbonated beverage etc.) are not suggested to be filled in except for drinking water.
2. Hot water is forbidden to be filled into the water tank.
3. To avoid cold air leakage, the water dispenser parts (especially the water tank and head) should be installed even when not in use.
4. Clean the tank with dry towel regularly before overflow.



Receiving tank

## CLEANING AND CARE

- For hygiene, clean the appliance (exterior and interior accessories) regularly at least every two months.
- Ensure the appliance is completely dry before switching back on and plugging back into the mains socket.
- Wipe the inside of the appliance with a weak solution of bicarbonate of soda, and then rinse with warm water using a wrung-out sponge or cloth.
- Take care to keep door seals clean. Sticky food and drinks can cause seals to stick to the cabinet. Wash the seals with a mild detergent and warm water. Rinse and dry them thoroughly after cleaning.
- This product contains a light source of energy efficiency class F.
- For more cleaning details, please refer to the E-manual.



## HELPFUL HINTS AND TIPS

### Energy saving tips

We recommend that you follow the tips to save energy.

- Try to avoid keeping the door open for long periods.
- Ensure the appliance is away from any sources of heat.
- Don't set the temperature colder than necessary.
- Don't store warm food or evaporating liquid in the appliance.

### Switching off your appliance

If the appliance needs to be switched off for an extended period, the following steps should be taken prevent mould on the appliance.

1. Remove all food.
  2. Remove the power plug from the mains socket.
  3. Clean and dry the interior thoroughly.
  4. Ensure that all the doors are wedged open slightly to allow air to circulate.
- Please refer to the E-manual for more information.

## TROUBLESHOOTING

- If you experience a problem with your appliance or are concerned that the appliance is not functioning correctly, you can carry out the following easy checks before calling for service.
- **NOTE:** You can find more relevant information in the E-manual.

### WARNING

Don't try to repair the appliance yourself. If the problem persists after you have made the checks mentioned below, contact a qualified electrician, authorized service engineer or the shop where you purchased the product.

### DANGER

Risk of child entrapment. Before you throw away your old refrigerator or freezer:

- Take off the doors.
- Leave the shelves in place so that children may not easily climb inside.

Problem	Possible cause & Solution
Appliance is not working correctly	Check whether the power cord is plugged into the power outlet properly.
	The ambient temperature is too low. Try setting the chamber temperature to a colder level to solve this problem.

## TROUBLESHOOTING

Problem	Possible cause & Solution
A layer of frost occurs in the compartment	Check that the air outlets are not blocked by food and ensure food is placed within the appliance to allow sufficient ventilation. Ensure that the door can be fully closed.
Temperature inside is too warm	You may have left the doors open too long or too frequently; or the doors are kept open by some obstacle; or the appliance is located with insufficient clearance at the sides, back and top.
Unable to connect appliance to Wi-Fi network	The Wi-Fi password was entered incorrectly, or the network could not be found. For specific network configuration operations, please refer to the electronic manual.

## DISPOSAL OF THE APPLIANCE

It is prohibited to dispose of this appliance as household waste.

### Packaging materials


Packaging materials with the recycle symbol are recyclable. Dispose of the packaging into a suitable waste collection container to recycle it.

### Before disposal of the appliance

1. Pull out the mains plug from the mains socket.
2. Cut off the power cord and discard with the mains plug.

### WARNING

Refrigerators contain refrigerant and gases in the insulation. Refrigerant and gases must be disposed of professionally as they may cause eye injuries or ignition. Ensure that tubing of the refrigerant circuit is not damaged prior to proper disposal.

	Correct Disposal of this product
	<p>This marking indicates that this product should not be disposed with other household wastes throughout the EU. To prevent possible harm to the environment or human health from uncontrolled waste disposal, recycle it responsibly to promote the sustainable reuse of material resources. To return your used device, please use the return and collection systems or contact the retailer where the product was purchased. They can take this product for environmental safe recycling.</p>

## SUGGESTION OF USING THE APPLIANCE

To avoid contamination of food, please respect the following instructions:

- Opening the door for long periods can cause a significant increase of the temperature in the compartments of the appliance.
- Clean regularly surfaces that can come in contact with food and accessible drainage systems.
- Clean water tanks if they have not been used for 48h; flush the water system connected to a water supply if water has not been drawn for 5 days.(Special for models with water tanks)
- Store raw meat and fish in suitable containers in the refrigerator, so that it is not in contact with or drip onto other food.
- Two-star frozen-food compartments are suitable for storing pre-frozen food, storing or making ice-cream and making ice cubes.
- One-, two- and three-star compartments are not suitable for the freezing of fresh food.
- If the refrigerating appliance is left empty for long periods, switch off, defrost, clean, dry, and leave the door open to prevent mould developing within the appliance.
- **NOTE:** The information below is for reference only, as functions may vary by models. Please get more details in the E-manual.

Order	Compartments type	Target storage temp.[°C]	Appropriate food	Storage life
1	Fridge	+2~+8	Eggs, cooked food, packaged food, fruits and vegetables, dairy products, cakes, drinks and other foods which are not suitable for freezing	/
2	Four-star	≤-18	Seafood, freshwater aquatic products and meats	≤3 months
3	Three-star	≤-18		≤2 months
4	Two-star	≤-12		≤1 month
5	One-star	≤-6		
6	Zero-star	-6~0	Fresh pork, beef, fish, chicken, some packaged processed foods, etc. Partially packed/wrapped up encapsulated processed foods (non-freezable foods)	≤3 days
7	Chill	-3~+3	Seafood, pork, beef, chicken, freshwater aquatic products, etc.	2~7 days
8	Fresh Food	0~+4	Fresh pork, beef, fish, chicken, cooked food, etc.	≤3 days
9	Wine	+5~+20	Red wine, white wine, sparkling wine, etc.	/

# Hisense

life reimagined



## MANUEL D'UTILISATION DE L'UTILISATEUR

Avant de faire fonctionner cet appareil, veuillez lire attentivement ce manuel et le conserver pour référence ultérieure

Il s'agit d'une version abrégée du Manuel de l'utilisateur. Pour plus d'informations, veuillez numériser le code QR ci-dessus afin de visualiser la version complète du manuel.

### REMARQUE :

1. Veuillez régler votre téléphone mobile ou tablette en mode portrait pendant la navigation des manuels électroniques pour obtenir la meilleure expérience de visualisation.
2. Pour garantir une expérience fluide avec la fonction de téléchargement des manuels électroniques, nous vous recommandons d'utiliser le navigateur Google Chrome, Microsoft Edge ou Safari.

FR

Français

## INFORMATIONS RELATIVES À LA SÉCURITÉ ET L'AVERTISSEMENT

### Avant d'utiliser l'appareil pour la première fois

Avant de connecter l'appareil au réseau électrique, veuillez lire attentivement le manuel d'instructions qui décrit l'appareil et son utilisation correcte et sûre. Les instructions s'appliquent à plusieurs types / modèles d'appareils ; il se peut donc que des réglages ou des équipements décrits ici ne soient pas disponibles dans votre appareil. Nous vous recommandons de conserver ce manuel d'instructions pour référence ultérieure et de le joindre à l'appareil si ce dernier est revendu dans la future.

Vérifiez votre appareil pour les dommages ou les irrégularités. Si vous constatez que votre appareil est endommagé, informez-en le détaillant auprès duquel vous avez acheté l'appareil.

Avant de connecter l'appareil au réseau électrique, laissez-le reposer en position verticale pendant au moins 2 heures. Cela permettra de réduire les risques de dysfonctionnement dus à l'effet du transport sur le système de refroidissement.

### Instructions de sécurité importantes



#### AVERTISSEMENT

**Risque d'incendie/matériaux inflammables.**

L'appareil doit être connecté au réseau électrique et mis à la terre conformément aux normes et réglementations en vigueur.

**AVERTISSEMENT !** Ne placez pas plusieurs prises portables ou alimentations électriques portables à l'arrière de l'appareil.

Avant de nettoyer l'appareil, débranchez-le du réseau électrique (débranchez le cordon d'alimentation de la prise murale).

**⚠ AVERTISSEMENT !** Si le cordon d'alimentation est endommagé, il doit être remplacé par le fabricant, l'un de ses agents ou une personne qualifiée similaire afin d'éviter tout danger.

**⚠ AVERTISSEMENT !** Lors du positionnement de l'appareil, assurez-vous que le cordon d'alimentation n'est pas coincé ni endommagé.

**⚠ AVERTISSEMENT !** La lampe DEL ne doit pas être remplacée par l'utilisateur ! Si la lampe DEL est endommagée, contactez le service d'assistance à la clientèle pour obtenir de l'aide.

## INFORMATIONS RELATIVES À LA SÉCURITÉ ET L'AVERTISSEMENT

**⚠ AVERTISSEMENT !** N'utilisez pas d'appareils électriques à l'intérieur des compartiments de stockage des aliments de l'appareil sauf s'ils sont recommandés par le fabricant.

**⚠ AVERTISSEMENT !** N'utilisez pas de dispositifs mécaniques ou d'autres moyens pour accélérer le processus de dégivrage, autres que ceux recommandés par le fabricant.

**⚠ AVERTISSEMENT !** Pour éviter tout risque résultant d'une mauvaise stabilité de l'appareil, assurez-vous qu'il est installé conformément aux instructions.

### Risque de gelure

Pour éviter les gelures, ne mettez jamais d'aliments congelés dans votre bouche et ne touchez pas aux aliments congelés.

### Sécurité des enfants et des personnes vulnérables

Cet appareil n'est pas destiné à être utilisé par des personnes (y compris des enfants) avec des capacités physiques, sensorielles ou mentales réduites, ou un manque d'expérience et de connaissance, à moins qu'elles n'aient reçu une surveillance ou des instructions concernant l'utilisation de l'appareil d'une personne responsable de leur sécurité.

Les enfants doivent être surveillés pour s'assurer qu'ils ne jouent pas avec l'appareil.

Le nettoyage et l'entretien par l'utilisateur ne doivent pas être effectués par des enfants sans surveillance.

Retirez l'emballage destiné à protéger l'appareil ou les parties particulières pendant le transport et gardez-le hors de portée des enfants. Il présente un risque de blessure ou d'étouffement.

Lors du retrait d'un appareil usagé, débranchez le cordon d'alimentation, retirez la porte et laissez les étagères dans l'appareil. Cela empêchera les enfants de s'enfermer dans l'appareil.

### Pour les marchés européens uniquement

Cet appareil peut être utilisé par des enfants âgés de 8 ans ou plus, ainsi que par des personnes ayant des capacités physiques, sensorielles ou mentales réduites, ou un manque d'expérience et de connaissances, à condition qu'ils soient surveillés ou qu'ils reçoivent des instructions concernant l'utilisation de l'appareil de manière sûre et comprennent les risques impliqués.

Les enfants ne doivent pas jouer avec l'appareil.

## INFORMATIONS RELATIVES À LA SÉCURITÉ ET L'AVERTISSEMENT

Le nettoyage et l'entretien par l'utilisateur ne doivent pas être effectués par des enfants sans surveillance.

Les enfants âgés de 3 à 8 ans sont autorisés à charger et décharger les appareils de réfrigération.

### **Avertissement concernant le réfrigérant**

L'appareil contient une petite quantité d'un gaz R600a respectueux de l'environnement mais inflammable. Assurez-vous qu'aucune partie du système de refroidissement n'est endommagée. Une fuite de gaz n'est pas dangereuse pour l'environnement, mais elle peut provoquer des lésions oculaires ou un incendie.

En cas de fuite de gaz, ventilez soigneusement la pièce, débranchez l'appareil du réseau électrique et appelez un technicien de maintenance.

### **Informations importantes sur l'utilisation de l'appareil**

**AVERTISSEMENT !** Cet appareil est destiné à être utilisé dans des applications domestiques et similaires telles que :

- les zones de cuisine du personnel dans les boutiques, les bureaux et les autres environnements de travail ;
- les maisons de ferme et par les clients dans les hôtels, les motels et les autres environnements de type résidentiel ;
- les environnements de type lit et petit-déjeuner ;
- la restauration et les applications non commerciales similaires.

**⚠ AVERTISSEMENT !** Gardez les ouvertures de ventilation, dans le boîtier de l'appareil ou la structure intégrée, à l'écart de toute obstruction.

L'appareil ne doit pas être utilisé à l'extérieur ni sous pluie.

Ne conservez pas de substances explosives comme les canettes d'aérosol contenant un propergol inflammable à l'intérieur de l'appareil.

Si l'appareil est hors service pendant une période prolongée, éteignez-le à l'aide du bouton correspondant et débranchez-le du réseau électrique. Videz l'appareil, dégivrez-le, nettoyez-le et laissez la porte entrouverte.

En cas d'erreur ou de panne d'alimentation électrique, n'ouvrez pas le compartiment congélateur à moins que le congélateur n'ait pas fonctionné pendant plus de 16 heures. Après cette période, utilisez les aliments congelés ou assurez un refroidissement suffisant (par exemple, un appareil de remplacement).

### **Informations techniques sur l'appareil**

La plaque signalétique se trouve à l'intérieur de l'appareil. Elle indique les données sur la tension, le volume brut et net, le type et la quantité de réfrigérant, ainsi que des informations sur les classes climatiques.

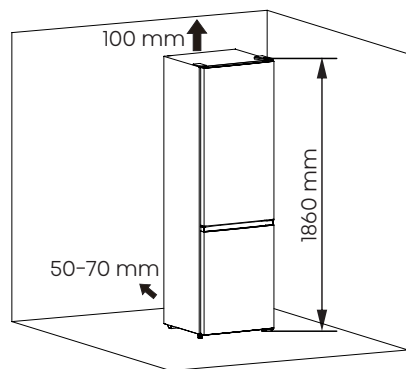
## INFORMATIONS RELATIVES À LA SÉCURITÉ ET L'AVERTISSEMENT

Si la langue figurant sur la plaque signalétique n'est pas celle de votre choix ou de votre pays, remplacez-la par celle fournie.

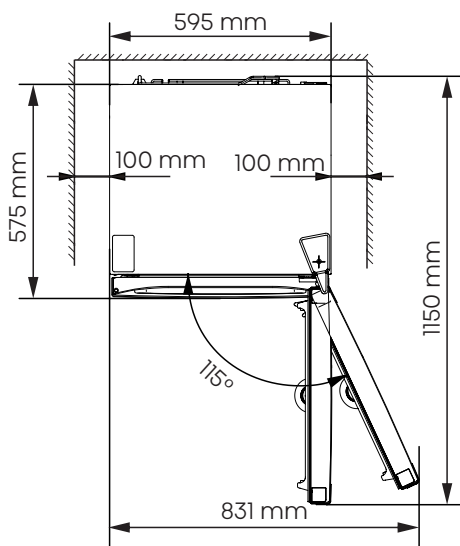
**⚠ AVERTISSEMENT !** N'endommagez pas le circuit de réfrigérant.

## INSTALLATION DE VOTRE NOUVEL APPAREIL

- Placez votre appareil dans un endroit sec et bien ventilé. Gardez l'appareil à l'abri de la lumière directe du soleil, de la pluie et du gel.
- Le diagramme montre la plage de température de chaque classe climatique. La classe climatique de cet appareil est indiquée sur la plaque signalétique. L'utilisation de l'appareil au-delà de cette plage peut entraîner des performances médiocres.
- Un espace libre suffisant doit être disponible autour de l'appareil pour faciliter la ventilation et la dissipation de la chaleur.
- L'espace suggéré est indiqué sur la figure.

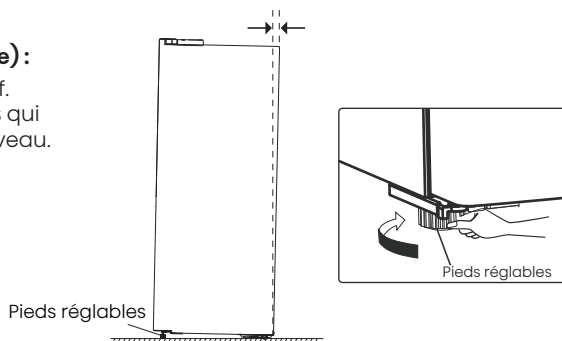


Classe climatique	Température ambiante
SN	+10 °C à +32 °C
N	+16 °C à +32 °C
ST	+16 °C à +38 °C
T	+16 °C à +43 °C



### Mise à niveau de l'appareil (si nécessaire) :

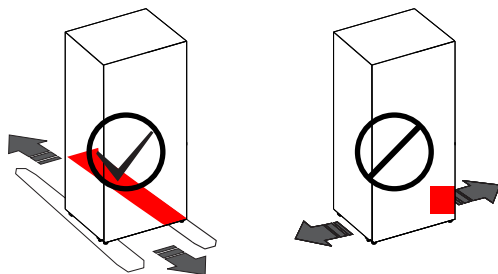
- La figure n'est donnée qu'à titre indicatif.
- L'appareil est équipé de pieds réglables qui peuvent être utilisés pour le mettre à niveau.
- Pour permettre aux portes de se fermer automatiquement, inclinez le haut vers l'arrière en tournant les pieds réglables.



## INSTALLATION DE VOTRE NOUVEL APPAREIL

### ! AVERTISSEMENT

- Pour une installation appropriée, ce réfrigérateur doit être placé sur une surface plane de matériau dur au ras du reste du plancher. Ladite surface doit être assez solide pour supporter le poids d'un réfrigérateur complètement chargé.
- Les roulettes ne doivent être utilisées que pour les mouvements vers l'avant ou vers l'arrière. Le déplacement latéral du réfrigérateur pourrait endommager votre plancher et les rouleaux.



## DESCRIPTION DE L'APPAREIL

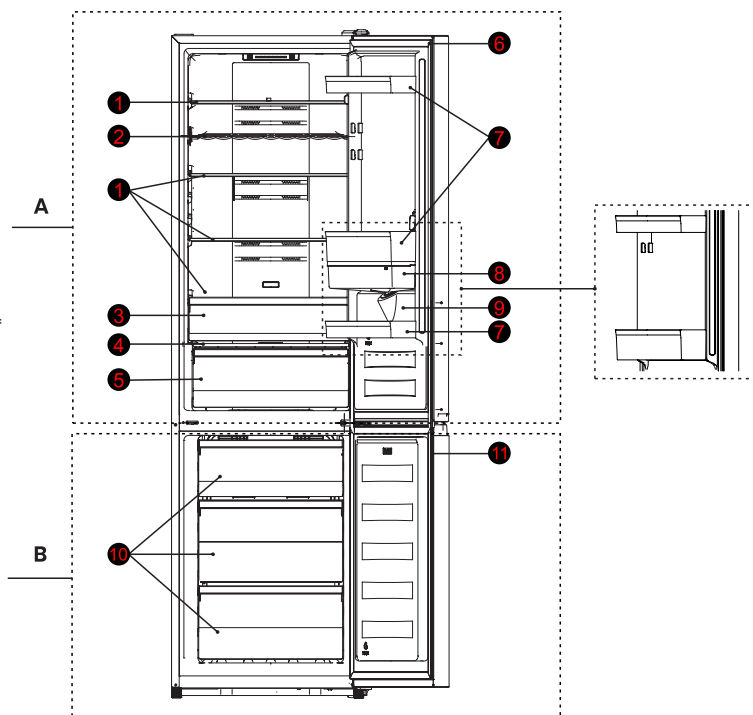
- L'équipement intérieur de l'appareil peut varier en fonction du modèle de l'appareil.
- Le schéma peut différer légèrement de l'appareil que vous avez acheté. Pour plus d'informations, consultez le manuel électronique.

### A : Réfrigérateur

1. Étagères en verre
2. Porte-bouteilles \*
3. Tiroir
4. Couvercle du tiroir à légumes
5. Bacs à légumes
6. Joint de porte
7. Balconnet
8. Réservoir d'eau \*\*
9. Distributeur d'eau \*

### B : Congélateur

10. Tiroirs
11. Joint de porte



\* : Uniquement dans certains modèles.

\*\* : Si le modèle n'est pas équipé d'un distributeur d'eau, le réservoir d'eau est remplacé par un support de porte.

## PANNEAU DE COMMANDE

**REMARQUE :** Le panneau de commande peut différer selon le modèle, choisissez donc en fonction de votre appareil. Pour plus d'informations, reportez-vous au manuel électronique.

Pour une conservation optimale des aliments, nous vous recommandons de régler la température du réfrigérateur sur 4 °C lorsque vous démarrez votre réfrigérateur pour la première fois. Si vous voulez changer la température, suivez les instructions ci-dessous.

**REMARQUE :** Un réglage de température élevé accélérera le gaspillage d'aliments.

### Attention !

Lorsque vous réglez une température, vous définissez une température moyenne pour l'ensemble du réfrigérateur. Les températures à l'intérieur de chaque compartiment peuvent varier légèrement par rapport aux températures affichées sur le panneau, selon la quantité d'aliments que vous stockez et l'endroit où vous les placez. La température ambiante peut également affecter la température réelle à l'intérieur de l'appareil.

### TYPE 1 : Panneau d'affichage dans la porte



#### Réfrigérateur

• Appuyez sur « °C » pour régler la température du réfrigérateur entre 2 °C et 8 °C selon les besoins, et le panneau d'affichage affichera les valeurs correspondantes dans l'ordre suivant.

#### ❄ Super Freeze (Super congélation)

La fonction Super Freeze abaissera rapidement la température à l'intérieur du congélateur de sorte que les aliments se congèleront plus rapidement.

- Vous pouvez appuyer sur « °C » pendant 3 secondes pour passer en mode Super Freeze. La température du congélateur sera réglée sur -24 °C.
- La fonction Super Freeze s'éteindra automatiquement au bout de 52 heures, et le réglage de la température du congélateur reviendra au réglage précédent.



#### Vacances

Si vous vous absentez pendant une longue période, vous pouvez activer cette fonction en appuyant sur « °C ».

- Lorsque le mode Vacances est activé, le voyant s'allumera. La température du congélateur sera réglée à -18 °C et celle du réfrigérateur à 15 °C.

### Important !

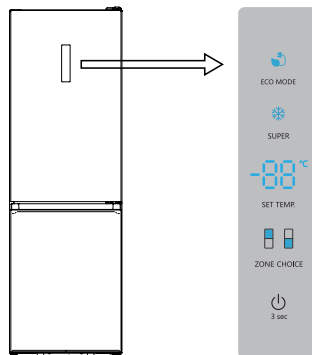
Ne conservez pas d'aliments dans le réfrigérateur pendant cette période.

#### 🔘 Commutateur

Vous pouvez allumer ou éteindre votre appareil en appuyant sur ce bouton.

- Appuyez sur « 🔘 » pendant 1 seconde, après un signal sonore, l'appareil sera allumé.
- Appuyez sur « 🔘 » pendant 3 secondes, après un signal sonore, l'appareil sera éteint.

### TYPE 2 : Panneau d'affichage sur porte



#### Réfrigérateur

Appuyez sur « ZONE CHOICE », le voyant « 🔘 » s'allumera. En appuyant ensuite sur « SET TEMP. », vous pouvez régler la température du réfrigérateur entre 2 °C et 8 °C selon vos besoins.

#### Congélateur

Appuyez sur « ZONE CHOICE » lorsque le voyant « 🔘 » s'allume. Appuyez ensuite sur « SET TEMP. » pour régler la température du congélateur entre -14 °C et -24°C selon les besoins, et le panneau d'affichage affichera les valeurs correspondantes dans l'ordre suivant.

#### ❄ Super Freeze (Super congélation)

La fonction Super Freeze abaissera rapidement la température à l'intérieur du congélateur de sorte que les aliments se congèleront plus rapidement.

- Vous pouvez appuyer sur « SUPER » pour passer en mode Super Freeze. La température du congélateur sera réglée sur -24 °C.

## PANNEAU DE COMMANDE

- La fonction Super Freeze s'éteindra automatiquement au bout de 52 heures, et le réglage de la température du congélateur reviendra au réglage précédent.

### Éco énergie

Cette fonction permet au congélateur de fonctionner en mode d'économie d'énergie, ce qui est utile pour réduire la consommation d'énergie lorsque vous êtes absent.

- Vous pouvez appuyer sur « ECO MODE » pour passer en mode d'économie d'énergie.
- Lorsque le mode économie d'énergie est activé, la température du congélateur sera réglée sur -17 °C et celle du réfrigérateur sur 6 °C.

### Commutateur

Vous pouvez allumer ou éteindre votre appareil en appuyant sur ce bouton.

- Appuyez sur « ( ) » pendant 3 secondes, après un signal sonore, pendant que le voyant numérique affiche « OF », l'appareil s'éteindra.
- Appuyez sur « ( ) » pendant 3 seconde, après un signal sonore, l'appareil sera allumé.

### Alarme

- Lorsque la porte du réfrigérateur a été ouverte pendant plus de 2 minutes, l'alarme de porte sera déclenchée. L'avertisseur sonore s'arrêtera automatiquement au bout de 8 minutes.
- Pour économiser de l'énergie, évitez de laisser la porte ouverte pendant longtemps.

## UTILISATION DE L'APPAREIL

**REMARQUE :** Cette fonction n'est disponible que dans les modèles avec distributeur d'eau.

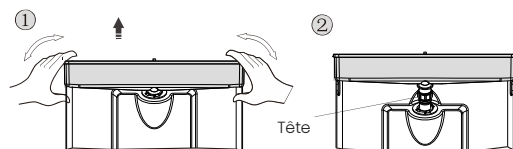
### Distributeur d'eau

Le distributeur d'eau fournit de l'eau réfrigérée sans ouvrir le réfrigérateur.

### Avant l'utilisation

Nettoyez le distributeur d'eau avant de l'utiliser pour la première fois.

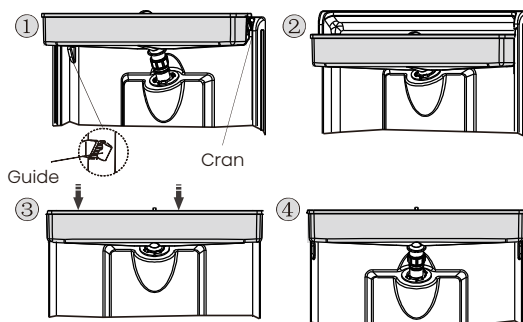
1. Retirez le réservoir d'eau en le tenant par les deux côtés et en le secouant.
2. Dévissez la tête, nettoyez-la et l'intérieur du réservoir (y compris les deux couvercles).
3. Séchez le réservoir de manière naturelle ou à l'aide d'un séchoir.



### Assemblage

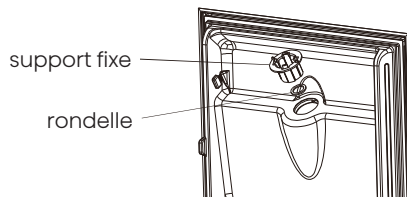
Après le nettoyage, rassemblez les pièces dans l'ordre inverse du nettoyage et ajoutez-les sur la porte.

1. Insérez la tête dans le trou.
2. Placez le réservoir le long des glissières.
3. Pressez les deux côtés du réservoir vers le bas.
4. L'installation est terminée avec un clic.

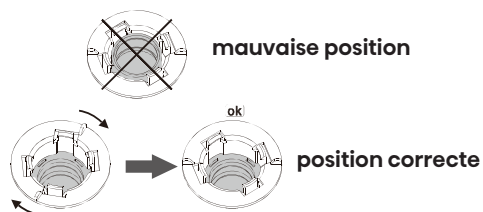


### Avertissement

1. Veillez à ne pas presser la tête.
2. Lors de la mise en place du réservoir d'eau, assurez-vous que la tête est insérée dans le trou en premier.
3. Si la rondelle est inversée ou lâche lors du retrait du réservoir, dévissez d'abord le support fixe, repositionnez la rondelle, puis réinstallez le support.

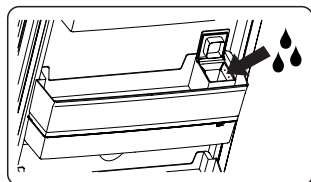


## UTILISATION DE L'APPAREIL



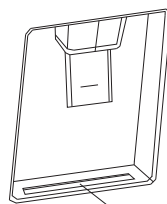
### Remplissage de l'eau

1. Avant de remplir le réservoir, assurez-vous qu'il est stable et correctement positionné.
2. Remplissez-le jusqu'au volume suggéré de 4 L pour éviter le débordement, soit en retirant le petit couvercle et en remplissant le réservoir par l'entrée du grand couvercle, soit en retirant le couvercle du réservoir et en le remplissant directement.



### Avertissement

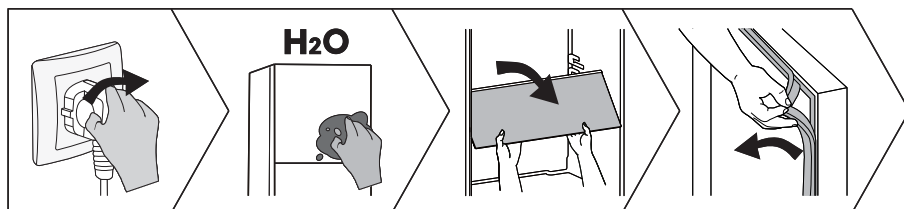
1. Il n'est pas conseillé de remplir le réservoir avec des boissons (lait, jus, boissons gazeuses, etc.) autre que l'eau potable.
2. Il est interdit de remplir de l'eau chaude dans le réservoir d'eau.
3. Pour éviter les fuites d'air froid, les pièces du distributeur d'eau (en particulier le réservoir d'eau et la tête) doivent être maintenues en place même lorsqu'elles ne sont pas utilisées.
4. Nettoyez régulièrement le réservoir avec une serviette sèche avant que l'eau ne déborde.



Bac de réception

## NETTOYAGE ET ENTRETIEN

- Pour des raisons d'hygiène, nettoyez régulièrement l'appareil (accessoires extérieurs et intérieurs) au moins tous les deux mois.
- Assurez-vous que l'appareil est complètement sec avant de le remettre sous tension et de le rebrancher sur la prise de courant.
- Essuyez l'intérieur de l'appareil avec une solution faible de bicarbonate de soude, puis rincez-le avec de l'eau tiède à l'aide d'une éponge ou d'un chiffon essoré.
- Veillez à ce que les joints de porte restent propres. Les aliments et les boissons collants peuvent faire adhérer les joints à l'armoire. Lavez les joints avec un détergent doux et de l'eau chaude. Rincez-les et séchez-les soigneusement après le nettoyage.
- Ce produit contient une source lumineuse de classe d'efficacité énergétique F.
- Pour plus de détails sur le nettoyage, reportez-vous au manuel électronique.



## CONSEILS ET ASTUCES UTILES

### Conseils pour économiser de l'énergie

Nous vous recommandons de suivre les conseils pour économiser de l'énergie.

- Essayez d'éviter de garder la porte ouverte pendant de longues périodes.
- Assurez-vous de maintenir l'appareil à l'écart de toute source de chaleur.
- Ne réglez pas la température plus basse que nécessaire.
- Ne conservez pas d'aliments chauds ou de liquide qui s'évapore dans l'appareil.

### Mise hors tension de votre appareil

Si l'appareil doit être éteint pendant une période prolongée, les mesures suivantes doivent être prises pour éviter les moisissures sur l'appareil.

1. Retirez tous les aliments.
  2. Débranchez la fiche d'alimentation de la prise de courant.
  3. Nettoyez et séchez l'intérieur soigneusement.
  4. Veillez à ce que toutes les portes soient légèrement coincées pour permettre à l'air de circuler.
- Pour plus d'informations, reportez-vous au manuel électronique.

## DÉPANNAGE

- Si vous rencontrez un problème avec votre appareil ou si vous craignez qu'il ne fonctionne pas correctement, vous pouvez effectuer les vérifications simples suivantes avant de faire appel au service après-vente.
- **REMARQUE** : Vous pouvez trouver plus d'informations pertinentes dans le manuel électronique.



### AVERTISSEMENT

N'essayez pas de réparer l'appareil vous-même. Si le problème persiste après avoir effectué les contrôles mentionnés ci-dessus, contactez un électricien qualifié, un technicien de maintenance autorisé ou le magasin où vous avez acheté le produit.



### DANGER

Risque de piégeage des enfants. Avant de jeter votre ancien réfrigérateur ou congélateur :

- Enlevez les portes.
- Laissez les étagères en place pour que les enfants ne puissent pas facilement grimper à l'intérieur.

Problème	Cause possible et solution
L'appareil ne fonctionne pas correctement	Vérifiez si le cordon d'alimentation est correctement branché dans la prise de courant.
	La température ambiante est trop basse. Essayez de régler la température de la chambre à un niveau plus bas pour résoudre ce problème.

## DÉPANNAGE

Problème	Cause possible et solution
Une couche de givre se produit dans le compartiment	Assurez-vous que les sorties d'air ne sont pas bloquées par des aliments et que les aliments sont placés dans l'appareil de manière à permettre une ventilation suffisante. Assurez-vous que la porte peut être complètement fermée.
La température intérieure est trop chaude	Vous avez peut-être laissé les portes ouvertes trop longtemps ou trop souvent ; ou les portes sont maintenues ouvertes à cause d'un obstacle quelconque ; ou l'appareil est situé à un endroit avec un dégagement insuffisant sur les côtés, à l'arrière et en haut.
Impossible de connecter l'appareil au réseau Wi-Fi	Le mot de passe Wi-Fi est saisi correctement ou le réseau ne peut pas être trouvé. Pour les opérations spécifiques de configuration du réseau, reportez-vous au manuel électronique.

## MISE AU REBUT DE L'APPAREIL

Il est interdit d'éliminer cet appareil comme des déchets ménagers.

### Matériaux d'emballage

Les matériaux d'emballage avec le symbole de recyclage sont recyclables. Jetez l'emballage dans un contenant de collecte de déchets approprié pour le recycler.


### Avant la mise au rebut de l'appareil

1. Retirez la fiche d'alimentation de la prise de courant.
2. Coupez le cordon d'alimentation et jetez-le avec la fiche d'alimentation.

## AVERTISSEMENT

Les réfrigérateurs contiennent des réfrigérants et des gaz dans l'isolation. Le réfrigérant et les gaz doivent être éliminés de manière professionnelle, car ils peuvent provoquer des lésions oculaires ou l'ignition.

Assurez-vous que le tuyau de réfrigérant n'est pas endommagé avant de l'éliminer correctement.

	Mise au rebut correcte de ce produit
	<p>Ce marquage indique que cet appareil ne doit pas être jeté avec les déchets ménagers dans toute l'UE. Afin d'éviter tout dommage éventuel de la mise au rebut des déchets incontrôlée à l'environnement ou à la santé humaine, recyclez-le de manière responsable afin de promouvoir la réutilisation des ressources matérielles. Pour retourner votre dispositif utilisé, veuillez utiliser les systèmes de retour et de collecte ou contacter le revendeur chez qui le produit a été acheté. Ils peuvent prendre ce produit pour un recyclage respectueux de l'environnement.</p>

## RECOMMANDATIONS POUR L'UTILISATION DE L'APPAREIL

Pour éviter la contamination des aliments, veuillez respecter les instructions suivantes :

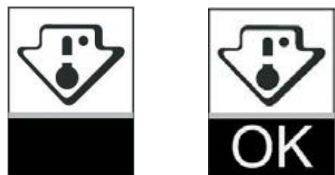
- L'ouverture de la porte pendant de longues périodes peut provoquer une augmentation significative de la température dans les compartiments de l'appareil.
- Nettoyez régulièrement les surfaces qui peuvent entrer en contact avec les aliments et les systèmes de drainage accessibles.
- Nettoyez les réservoirs d'eau s'ils n'ont pas été utilisés pendant 48 h ; rincez le système d'eau raccordé à une alimentation en eau si l'eau n'a pas été prise pendant 5 jours. (Spécial pour les modèles avec réservoir d'eau)
- Conservez la viande et le poisson crus dans des contenants appropriés au réfrigérateur, de sorte qu'ils ne soient pas en contact avec d'autres aliments ou qu'ils ne s'égouttent pas sur d'autres aliments.
- Les compartiments d'aliments congelés deux étoiles sont adaptés pour conserver des aliments pré-congelés, conserver ou fabriquer de la crème glacée et des glaçons.
- Les compartiments d'une, deux et trois étoiles ne sont pas adaptés pour congeler les aliments frais.
- Si l'appareil de réfrigération est laissé vide pendant de longues périodes, éteignez-le, dégivrez-le, nettoyez-le, séchez-le et laissez la porte ouverte pour éviter le développement de moisissures dans l'appareil.
- **REMARQUE** : Les informations ci-dessous ne sont données qu'à titre indicatif, car les fonctions peuvent varier selon les modèles. Pour plus de détails, reportez-vous au manuel électronique.

No.	Type de compartiments	Température de conservation cible [°C]	Aliments appropriés	Durée de stockage
1	Réfrigérateur	+2~+8	Œufs, aliments cuits, aliments emballés, fruits et légumes, produits laitiers, gâteaux, boissons et autres aliments qui ne conviennent pas à la congélation.	/
2	Quatre étoiles	≤-18	Fruits de mer, produits aquatiques d'eau douce et viandes.	≤ 3 mois
3	Trois étoiles	≤-18		≤ 2 mois
4	Deux étoiles	≤-12		≤ 1 mois
5	Une étoile	≤-6		
6	Zéro étoile	-6~0	Porc frais, bœuf, poisson, poulet, certains aliments transformés emballés, etc. Aliments transformés encapsulés partiellement emballés/enrobés (aliments non congelables)	≤ 3 jours
7	Refroidissement	-3~+3	Fruits de mer, porc, bœuf, poulet, produits aquatiques d'eau douce, etc.	2-7 jours
8	Aliments frais	0~+4	Porc frais, bœuf, poisson, poulet, aliments cuits, etc.	≤ 3 jours
9	Vin	+5~+20	Vin rouge, vin blanc, vin mousseux etc.	/

## Indicateur de température

Pour vous aider au bon réglage de votre appareil, celui-ci est équipé d'un indicateur de température placé dans la zone la plus froide.

Pour la bonne conservation des denrées dans votre réfrigérateur et notamment dans la zone la plus froide, veillez à ce que dans l'indicateur de température « OK » apparaisse.

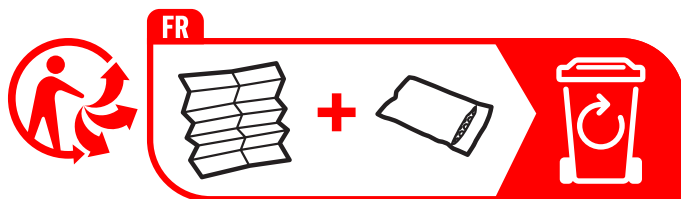


Le symbole ci-contre indique l'emplacement de la zone la plus froide de votre réfrigérateur. Il définit le haut de cette zone.

Si « OK » n'apparaît pas, la température moyenne de cette zone est trop élevée. Réglez le thermostat sur une position plus froide.

A chaque modification du réglage du thermostat, attendez la stabilisation de la température à l'intérieur de l'appareil avant de procéder si nécessaire à un nouveau réglage. Ne modifiez la position du thermostat que progressivement et attendez au moins 12 heures avant de procéder à une nouvelle vérification.

NOTA : après chargement de l'appareil de denrées fraîches ou après des ouvertures répétées ou prolongées de la porte il est normal que l'inscription « OK » n'apparaisse pas dans l'indicateur de température ; attendez au moins 12 heures avant de réajuster le thermostat.



# Hisense

life reimagined



## BEDIENUNGSANLEITUNG

Bevor Sie dieses Gerät in Betrieb nehmen, lesen Sie bitte dieses Handbuch sorgfältig durch und bewahren Sie es zum späteren Nachschlagen auf. Dies ist eine Kurzversion des Benutzerhandbuchs. Bitte scannen Sie für weitere Informationen den obigen QR-Code, um die Vollversion des Handbuchs anzuzeigen.

### HINWEIS:

1. Für das beste Anzeigerlebnis stellen Sie bitte Ihr Mobiltelefon oder Tablet beim Durchsuchen elektronischer Handbücher auf den Hochformatmodus ein.
2. Für einen reibungslosen Ablauf bei der Download-Funktion der elektronischen Handbücher empfehlen wir die Verwendung des Browsers Google Chrome, Microsoft Edge oder Safari.

DE

Deutsch

## INFORMATIONEN ZUR SICHERHEIT UND WARNHINWEISE

### Vor dem ersten Inbetriebnahme

Bevor Sie das Gerät an das Stromnetz anschließen, lesen Sie bitte sorgfältig die Gebrauchsanweisung, die das Gerät und seinen richtigen und sicheren Gebrauch beschreibt. Die Anleitung ist für mehrere Gerätetypen/Modelle gültig. Möglicherweise sind deswegen hier auch Einstellungen oder Ausstattungen beschrieben, die bei Ihrem Gerät nicht vorhanden sind. Wir empfehlen, diese Bedienungsanleitung zum späteren Nachschlagen aufzubewahren und sie bei einem späteren Verkauf dem Gerät beizulegen.

Überprüfen Sie Ihr Gerät auf etwaige Schäden oder Unregelmäßigkeiten. Sollten Sie an Ihrem Gerät Schäden feststellen, benachrichtigen Sie bitte umgehend den Händler, bei dem Sie das Gerät gekauft haben.

Lassen Sie das Gerät vor dem Anschließen an das Stromnetz mindestens 2 Stunden in aufrechter Position ruhig stehen. Dadurch verringert sich die Möglichkeit von Betriebsstörungen aufgrund von Transportauswirkungen auf das Kühlsystem.

### Wichtige Sicherheitsanweisungen



## **WARNUNG** Gefahr von Brand/brennbaren Stoffen

Der Anschluss und die Erdung des Geräts müssen den geltenden Normen und Vorschriften entsprechend erfolgen.

**WARNUNG!** Stellen Sie die Mehrfachkupplungssteckdose oder portable Stromversorgung nicht an der Geräterückseite auf.

Trennen Sie das Gerät vor der Reinigung vom Stromnetz (ziehen Sie das Netzkabel aus der Steckdose).

**⚡ WARNUNG!** Wenn das Netzkabel beschädigt ist, muss es durch den Hersteller, seinen Kundendienst oder ähnlich qualifizierte Personen ersetzt werden, um eine Gefährdung zu vermeiden.

**⚡ WARNUNG!** Stellen Sie bei der Positionierung des Geräts sicher, dass das Netzkabel nicht eingeklemmt oder beschädigt ist.

**⚡ WARNUNG!** Das LED-Licht muss nicht vom Anwender ersetzt werden! Wenn das LED-Licht beschädigt ist, wenden Sie sich an den Kundendienst.

## INFORMATIONEN ZUR SICHERHEIT UND WARNHINWEISE

**⚠️ WARNUNG!** Verwenden Sie keine elektrischen Geräte innerhalb des Lebensmittellagefachs des Gerätes, außer wenn sie die vom Hersteller empfohlenen Typen sind.

**⚠️ WARNUNG!** Verwenden Sie keine mechanischen Vorrichtungen oder anderen Mittel, um den Entfrostsprozess zu beschleunigen, außer wenn die vom Hersteller empfohlen sind.

**⚠️ WARNUNG!** Um Gefahren durch mangelnde Stabilität des Geräts zu vermeiden, stellen Sie sicher, dass es gemäß den Anweisungen installiert wird.

### Gefrierbrandgefahr

Um Gefrierbrand zu vermeiden, nehmen Sie niemals gefrorene Lebensmittel in den Mund und berühren Sie sie nicht.

### Sicherheit von Kindern und schutzbedürftigen Personen

Dieses Gerät ist nicht dafür bestimmt, durch Personen (einschließlich Kinder) mit eingeschränkten physischen, sensorischen oder geistigen Fähigkeiten oder mangels Erfahrung und mangels Wissen benutzt zu werden, es sei denn, sie werden durch eine für ihre Sicherheit zuständige Person beaufsichtigt oder erhalten von ihr Anweisungen, wie das Gerät zu benutzen ist.

Die Kinder sollten beaufsichtigt werden, um sicherzustellen, dass sie nicht mit dem Gerät spielen.

Die Reinigung und Wartung dürfen nicht von Kindern ohne Aufsicht durchgeführt werden.

Entfernen Sie die Verpackung, die das Gerät oder einzelne Teile während des Transports schützen soll, und bewahren Sie diese außerhalb der Reichweite von Kindern auf. Es besteht Verletzungs- oder Erstickungsgefahr.

Beim Entsorgen eines Altgeräts ziehen Sie bitte den Netzstecker, nehmen die Tür ab und belassen die Ablagen im Gerät. Dadurch verhindern Sie, dass sich Kinder im Gerät einsperren.

### Nur für europäische Märkte

Dieses Gerät kann von Kindern von 8 Jahren und älter sowie Personen mit eingeschränkten körperlichen, sensorischen bzw. geistigen Fähigkeiten oder mangelnder Erfahrung und Wissen verwendet werden, wenn sie eine Beaufsichtigung bzw. Anweisung für die Nutzung der Maschine auf sichere Weise erfahren und die Risiken gekannt haben.

Die Kinder dürfen nicht mit dem Gerät spielen.

## INFORMATIONEN ZUR SICHERHEIT UND WARNHINWEISE

Die Reinigung und Wartung dürfen nicht von Kindern ohne Aufsicht durchgeführt werden.

Die Kinder im Alter von 3 bis 8 Jahren dürfen Kühlgeräte be- und entladen.

### Warnung bezüglich des Kältemittels

Das Gerät enthält eine kleine Menge des umweltfreundlichen, jedoch brennbaren Gases R600a. Stellen Sie sicher, dass keine Teile des Kühlsystems beschädigt sind. Ein Gasleck stellt keine Gefahr für die Umwelt dar, kann aber zu Augenverletzungen oder Bränden führen.

Im Falle eines Gaslecks ist der Raum gründlich zu lüften, das Gerät vom Stromnetz zu trennen und ein Servicetechniker zu rufen.

### Wichtige Hinweise zur Gerätenutzung

**WARNUNG!** Dieses Gerät ist für den Haushalt und ähnliche Anwendungen wie:

- Mitarbeiter-Küchenbereiche in Läden, Büros und anderen Arbeitsumgebungen;
- Bauernhäuser und von Kunden in Hotels, Motels und anderen Wohnräumen;
- Bett- und Frühstück-Typ Umgebungen;
- Gastronomie und ähnliche Non-Retail-Anwendungen.

**⚠️ WARNUNG!** Halten Sie die Belüftungsöffnungen, die Geräteverkleidung oder die integrierte Struktur von Behinderungen frei.

Das Gerät darf nicht im Freien verwendet und nicht dem Regen ausgesetzt werden.

Bewahren Sie keine explosiven Stoffe wie Spraydosen mit brennbaren Treibmittel in diesem.

Wenn Sie das Gerät längere Zeit nicht benutzen, schalten Sie es mit der entsprechenden Taste aus und ziehen Sie den Stecker aus der Steckdose. Gerät entleeren, abtauen, reinigen und die Tür angelehnt lassen.

Öffnen Sie im Falle eines Fehlers oder eines Stromausfalls das Gefrierfach nicht, es sei denn, der Gefrierschrank war länger als 16 Stunden nicht in Betrieb. Nach Ablauf dieser Frist das Gefriergut aufbrauchen oder für ausreichend Kühlung sorgen (z. B. durch ein Ersatzgerät).

### Technische Informationen zum Gerät

Das Typenschild befindet sich im Inneren des Geräts. Es enthält Angaben zu Spannung, Brutto- und Nettovolumen, Art und Menge des Kältemittels sowie Informationen zu den Klimaklassen.

## INFORMATIONEN ZUR SICHERHEIT UND WARNHINWEISE

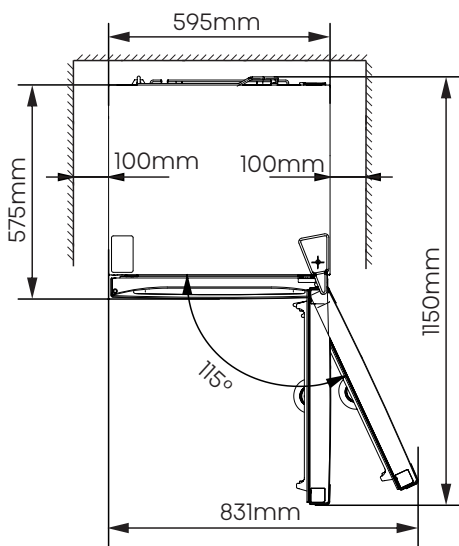
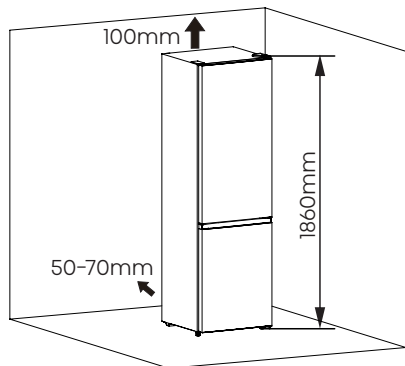
Sollte die Sprache auf dem Typenschild nicht Ihrer Wunschsprache bzw. der Sprache Ihres Landes entsprechen, ersetzen Sie diese durch die mitgelieferte Sprache.

**⚠️ WARNUNG!** Beschädigen Sie den Kältemittelkreislauf nicht.

## AUFBAU IHRES NEUEN GERÄTES

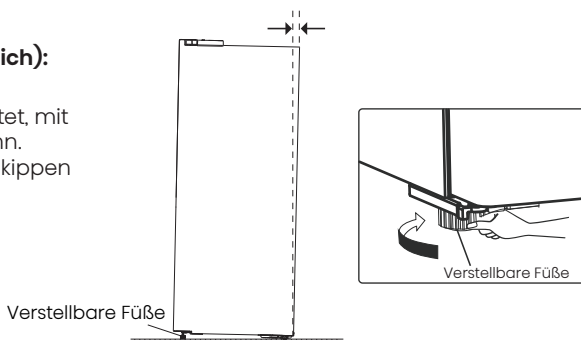
- Stellen Sie Ihr Gerät an einem trockenen und gut belüfteten Ort auf. Schützen Sie das Gerät vor direkter Sonneneinstrahlung, Regen oder Frost.
- Das Diagramm zeigt den Temperaturbereich der jeweiligen Klimaklasse. Die Klimaklasse dieses Gerätes ist auf dem Typenschild angegeben. Eine Verwendung außerhalb dieses Bereichs kann zu Schlechtleistung führen.
- Das Gerät sollte von einem ausreichenden Freiraum umgeben sein, um die Belüftung und Wärmeableitung zu ermöglichen.
- Der empfohlene Platz ist in der Abbildung angegeben.

Klimaklasse	Umgebungstemperatur
SN	+10°C bis +32°C
N	+16°C bis +32°C
ST	+16°C bis +38°C
T	+16°C bis +43°C



### Nivellierung des Geräts (falls erforderlich):

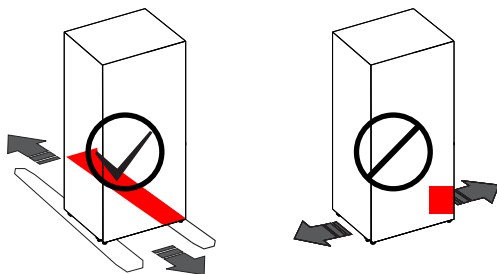
- Die Abbildung dient nur als Referenz.
- Das Gerät ist mit Stellfüßen ausgestattet, mit denen das Gerät nivelliert werden kann.
- Damit sich die Türen selbst schließen, kippen Sie das Oberteil durch Drehen der verstellbaren Füße nach hinten.



## AUFBAU IHRES NEUEN GERÄTES

### ! WARNUNG

- Für die ordnungsgemäße Installation muss dieser Kühlschrank auf einer ebenen Fläche aus hartem Material, das in gleicher Höhe wie der Rest des Fußbodens ist, platziert werden. Diese Oberfläche sollte stark genug sein, um einen voll beladenen Kühlschrank zu unterstützen.
- Die Rollen dürfen ausschließlich für Vorwärts- bzw. Rückwärtsbewegungen verwendet werden. Seitliches Verschieben des Kühlschranks könnten die Beschädigung an Boden und Rollen verursachen.



## BESCHREIBUNG DES GERÄTS

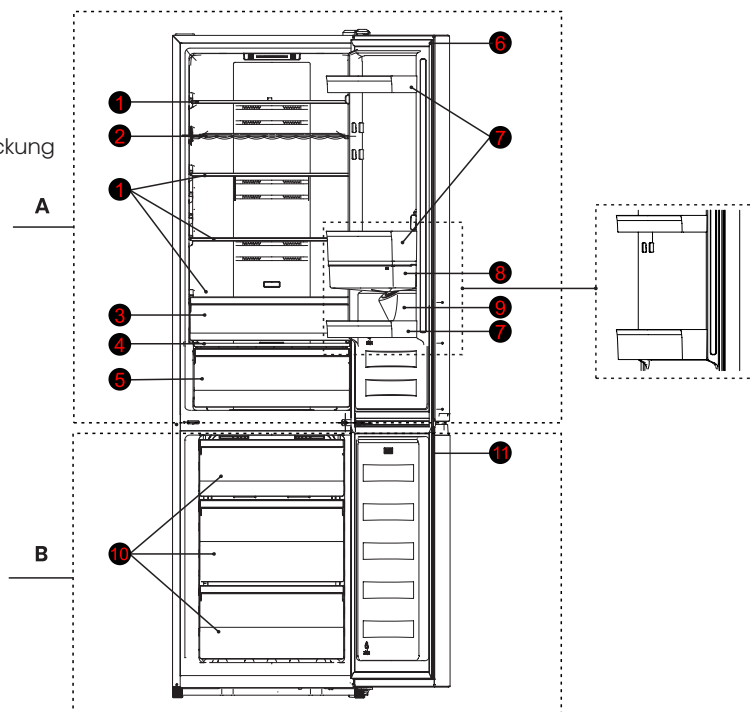
- Die Innenausstattung des Geräts kann je nach Gerätemodell variieren.
- Das Diagramm kann leicht von dem Ihres gekauften Geräts abweichen. Weitere Informationen finden Sie im E-Handbuch.

### A: Kühlschrank

1. Glasablagen
2. Flaschenregale \*
3. Schubladen
4. Gemüsefachabdeckung
5. Gemüsefach
6. Türdichtung
7. Türregale
8. Wassertank \*\*
9. Wasserspender \*

### B: Gefrierschrank

10. Schubladen
11. Türdichtung



\* : Nur bei bestimmten Modellen.

\*\* : Bei Modellen ohne Wasserspender wird der Wassertank durch einen Türabsteller ersetzt.

## BEDIENFELD

**HINWEIS:** Das Bedienfeld unterscheidet sich je nach Modell. Wählen Sie es also entsprechend Ihrem Gerät aus. Weitere Informationen finden Sie im E-Handbuch.

Für eine optimale Lebensmittelkonservierung empfehlen wir, dass die Temperatur des Kühlschranks beim ersten Einschalten auf 4°C eingestellt wird. Wenn Sie die Temperatur ändern möchten, befolgen Sie die nachstehenden Anweisungen.

**HINWEIS:** Hohe Temperaturen führen zu einem schnellen Verderben der Lebensmittel.

### Vorsicht!

Wenn Sie eine Temperatur einstellen, stellen Sie eine Durchschnittstemperatur für den gesamten Kühlschrank ein. Die Temperaturen in den einzelnen Fächern können von den auf dem Display angezeigten Temperaturwerten abweichen, je nachdem, wie viel Lebensmittel Sie einlagern und wo sie aufbewahrt werden. Die Umgebungstemperatur kann auch die tatsächliche Temperatur im Gerät beeinflussen.

### TYPE 1: Anzeigefeld in der Tür



#### Kühlschrank

- Betätigen Sie „[C]“, um die Kühlschranktemperatur nach Bedarf zwischen 2°C und 8°C einzustellen. Auf dem Bildschirm werden die entsprechenden Werte in der folgenden Reihenfolge angezeigt.

#### ❄ Super Freeze

Der Super Freeze-modus senkt schnell die Temperatur im Gefrierfach, sodass Lebensmittel schneller gefrieren.

- Drücken Sie für 3 Sekunden auf „[C]“, um in den Super Freeze-Modus zu gelangen. Die Gefriertemperatur wird auf -24°C eingestellt.
- Die Super Freeze schaltet sich nach ungefähr 52 Stunden automatisch aus, und die Gefriertemperatur wird auf die vorherige Einstellung zurückgesetzt.



#### Holiday (dt.: Urlaubsmodus)

Falls Sie über einen längeren Zeitraum abwesend sind, betätigen Sie „[C]“, um diese Funktion zu aktivieren.

- Wenn der Urlaubsmodus aktiviert ist, geht das Licht an. Die Temperatur des Gefrierfachs wird auf -18°C und die Kühlschranktemperatur auf 15°C eingestellt.

### Wichtig!

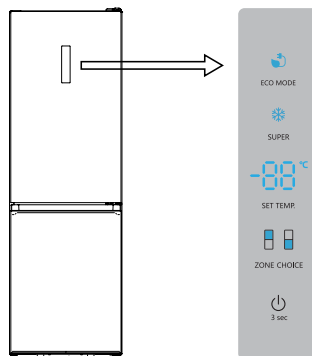
Bewahren Sie während dieser Zeit keine Lebensmittel im Kühlschrank auf.

### 🔘 Schalter

Mit Hilfe dieser Taste können Sie Ihr Gerät ein- oder ausschalten.

- Betätigen Sie „[C]“ für 1 Sekunde, nachdem der Signalton angeht, damit das Gerät eingeschaltet wird.
- Betätigen Sie „[C]“ für 3 Sekunden, nachdem der Signalton angeht, damit das Gerät ausgeschaltet wird.

### TYPE 2: Anzeigetafel an der Tür



#### Kühlschrank

Drücken Sie „ZONE CHOICE“, die „[C]“-Leuchte leuchtet auf. Drücken Sie danach „SET TEMP.“ zur bedarfsgerechten Einstellung der Kühlschranktemperatur zwischen 2°C und 8°C.

#### Gefrierschrank

Drücken Sie „ZONE CHOICE“, wenn die „[C]“-Leuchte aufleuchtet. Drücken Sie danach „SET TEMP.“ zur bedarfsgerechten Einstellung der Gefrierschranktemperatur zwischen -14°C und -24°C. Auf dem Anzeigefeld erscheint der entsprechende Wert in der folgenden Reihenfolge.

#### ❄ Super Freeze

Der Super Freeze-modus senkt schnell die Temperatur im Gefrierfach, sodass Lebensmittel schneller gefrieren.

- Drücken Sie „SUPER“, um in den Super Freeze-Modus zu wechseln. Die Gefriertemperatur wird auf -24°C eingestellt.

## BEDIENFELD

- Die Super Freeze schaltet sich nach ungefähr 52 Stunden automatisch aus, und die Gefriertemperatur wird auf die vorherige Einstellung zurückgesetzt.

### Öko-Energie

Diese Funktion sorgt dafür, dass der Gefrierschrank in einem Energiesparmodus arbeitet, was zur Reduzierung des Energieverbrauchs während Ihrer Abwesenheit nützlich ist.

- Sie können „ECO MODE“ drücken, um in den Energiesparmodus zu gelangen.
- Bei aktiviertem Energiesparmodus wird die Gefriertemperatur auf  $-17^{\circ}\text{C}$  und die Kühlschranktemperatur auf  $6^{\circ}\text{C}$  eingestellt.

### Schalter

Mit Hilfe dieser Taste können Sie Ihr Gerät ein- oder ausschalten.

- Drücken Sie für 3 Sekunden auf „ $\cup$ “: Nachdem Sie einen Piepton hören, zeigt das digitale Display „OF“ an und das Gerät schaltet sich aus.
- Betätigen Sie „ $\cup$ “ für 3 Sekunde, nachdem der Signalton angeht, damit das Gerät eingeschaltet wird.

### Alarm

- Wenn die Kühlschranktür für mehr als 2 Minuten geöffnet wurde, ertönt der Türalarm. Der Signalton verstummt automatisch nach 8 Minuten.
- Um Energie zu sparen, sollten Sie es auf jeden Fall vermeiden, die Tür über einen längeren Zeitraum geöffnet zu halten.

## NUTZUNG DES GERÄTS

**HINWEIS:** Diese Funktion ist nur bei Modellen mit Wasserspender verfügbar.

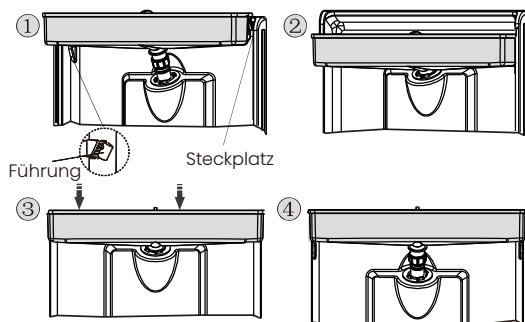
### Wasserspender

Der Wasserspender liefert gekühltes Wasser, ohne dass der Kühlschrank geöffnet werden muss.

### Vor der Verwendung

Reinigen Sie den Wasserspender vor der ersten Inbetriebnahme.

- Halten Sie zum Entnehmen des Wassertanks diesen an beiden Seiten fest und rütteln Sie ihn hin und her.
- Schrauben Sie den Kopf ab und reinigen Sie ihn sowie das Innere des Tanks (einschließlich beider Deckel).
- Trocknen Sie das Teil natürlich oder mit einem Trockner.



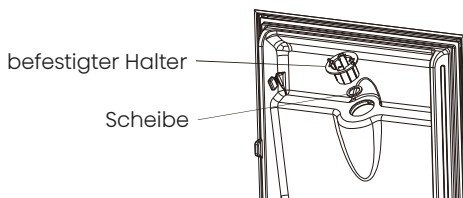
### Warnung

- Achten Sie darauf, nicht auf den Kopf zu drücken.
- Wenn Sie den Wassertank montieren, stellen Sie sicher, dass der Kopf zuerst in das Loch eingesetzt ist.
- Sollte sich beim Ausbau des Tanks die Unterlegscheibe vertauscht oder gelöst haben, schrauben Sie zunächst die feste Halterung ab, positionieren Sie die Unterlegscheibe neu und montieren Sie anschließend die Halterung erneut.

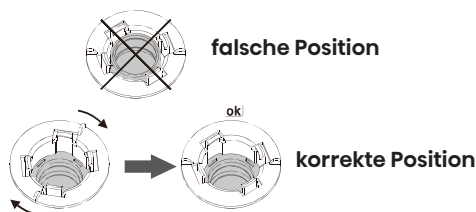
### Montage

Nach der Reinigung die Teile in umgekehrter Reinigungsreihenfolge wieder zusammenbauen und an der Tür montieren.

- Setzen Sie den Kopf in das Loch ein.
- Führen Sie den Tank längs der Führungen ein.
- Drücken Sie auf die beiden Seiten des Wassertanks nach unten.
- Die Installation wird mit einem Klickgeräusch abgeschlossen.

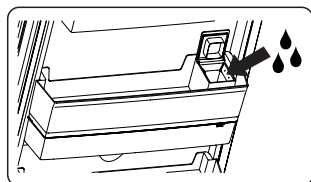


## NUTZUNG DES GERÄTS



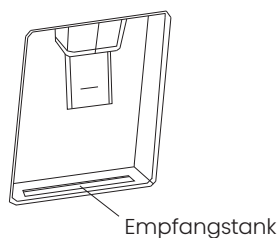
### Wasser füllen

1. Stellen Sie vor dem Befüllen des Tanks sicher, dass dieser stabil und richtig positioniert ist.
2. Um ein Überlaufen zu vermeiden, füllen Sie ihn bis zu den empfohlenen 4 Litern auf. Entfernen Sie dazu entweder den kleinen Deckel und füllen Sie ihn durch den Einlass des großen Deckels oder entfernen Sie die Tankabdeckung und befüllen Sie ihn direkt.



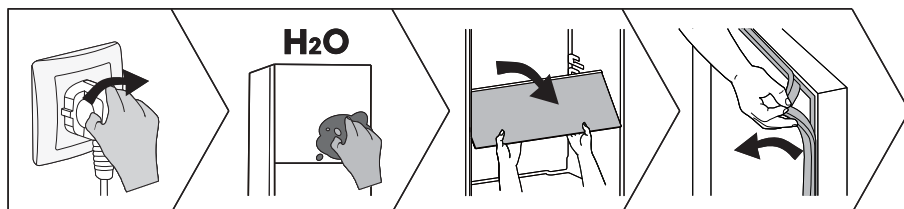
### Warnung

1. Es wird nicht empfohlen, außer Trinkwasser andere Getränke (Milch, Saft, kohlenensäurehaltige Getränke usw.) einzufüllen.
2. Es ist verboten, heißes Wasser in den Wassertank zu füllen.
3. Um ein Austreten kalter Luft zu vermeiden, sollten die Teile des Wasserspenders (insbesondere der Wassertank und das Kopfteil) auch bei Nichtgebrauch installiert werden.
4. Reinigen Sie den Tank regelmäßig mit einem trockenen Tuch, bevor er überläuft.



## REINIGUNG UND PFLEGE

- Reinigen Sie das Gerät (äußeres und inneres Zubehör) aus hygienischen Gründen regelmäßig mindestens alle zwei Monate.
- Stellen Sie sicher, dass das Gerät vollständig trocken ist, bevor Sie es wieder einschalten und wieder an die Steckdose anschließen.
- Wischen Sie das Innere des Geräts mit einer schwachen Natronlösung aus und spülen Sie es anschließend mit warmem Wasser und einem ausgewungenen Schwamm oder Tuch ab.
- Achten Sie darauf, die Türdichtungen sauber zu halten. Klebrige Speisen und Getränke können dazu führen, dass Dichtungen am Gehäuse festkleben. Waschen Sie die Dichtung mit mildem Reinigungsmittel und warmem Wasser ab. Nach der Reinigung sie gründlich abspülen und trocknen.
- Dieses Produkt enthält eine Lichtquelle der Energieeffizienzklasse F.
- Weitere Einzelheiten zur Reinigung finden Sie im E-Handbuch.



## Hilfreiche Tipps und Tricks

### Energiespartipps

Wir empfehlen, die Tipps zum Energiesparen zu befolgen.

- Lassen Sie das Gerät möglichst kurz geöffnet, um Energie zu sparen.
- Stellen Sie sicher, dass das Gerät nicht in der Nähe von Wärmequellen steht.
- Stellen Sie die Temperatur nicht kälter als nötig ein.
- Lagern Sie keine warmen Speisen oder dampfende Flüssigkeit im Gerät.

### Ausschalten Ihres Gerätes

Wenn das Gerät für einen längeren Zeitraum auszuschalten braucht, sollten die folgenden Schritte durchgeführt werden, um die Schimmelbildung auf dem Gerät zu verhindern.

1. Entfernen Sie alle Lebensmittel.
  2. Entfernen Sie den Netzstecker aus der Steckdose.
  3. Säubern und trockenen Sie das Innere gründlich.
  4. Stellen Sie sicher, dass alle Türen wenig geöffnet sind, um eine Luftzirkulation zu ermöglichen.
- Weitere Informationen finden Sie im E-Handbuch.

## FEHLERBEHEBUNG

- Wenn bei Ihrem Gerät ein Problem auftritt oder Sie den Verdacht haben, dass das Gerät nicht ordnungsgemäß funktioniert, können Sie die folgenden einfachen Prüfungen durchführen, bevor Sie den Kundendienst anrufen.
- **HINWEIS:** Weitere relevante Informationen finden Sie im E-Handbuch.

### **WARNUNG**

Versuchen Sie nicht, das Gerät selbst zu reparieren. Wenn das Problem bestehen bleibt, nachdem Sie die folgenden Überprüfungen durchführen, kontaktieren Sie bitte einen qualifizierten Elektriker, Servicetechniker oder das Geschäft, in dem Sie das Produkt gekauft haben.

### **GEFAHR**

Einklemmgefahr für Kinder. Bevor Sie Ihren alten Kühlschrank oder Gefrierschrank entsorgen:

- Entfernen Sie die Türen.
- Entfernen Sie nicht die Böden damit Kinder nicht ohne Weiteres hineinklettern können.

Problem	Mögliche Ursache & Lösung
Das Gerät funktioniert nicht richtig.	Überprüfen Sie, ob das Netzkabel richtig in die Steckdose eingesteckt ist.
	Die Umgebungstemperatur ist zu niedrig. Versuchen Sie, die Kammertemperatur auf ein kälteres Niveau einzustellen, um dieses Problem zu lösen.

## FEHLERBEHEBUNG

Problem	Mögliche Ursache & Lösung
Eine Frostschicht tritt im Kompartiment auf	Überprüfen Sie, dass die Luftauslässe nicht durch die Lebensmittel blockiert sind, und stellen Sie sicher, dass die Lebensmittel innerhalb des Gerätes so angebracht ist, dass eine ausreichende Belüftung ermöglicht ist. Stellen Sie sicher, dass die Tür ganz geschlossen werden kann.
Die Temperatur im Inneren ist zu warm	Sie können die Türen zu lange oder zu häufig offen gehalten haben; oder die Türen sind durch ein Hindernis offen gehalten; oder das Gerät ist mit unzureichendem Freiraum an den Seiten, hinten und oben gelegt.
Das Gerät kann nicht mit dem WLAN-Netzwerk verbunden werden	Das WLAN-Passwort wurde falsch eingegeben oder das Netzwerk konnte nicht gefunden werden. Informationen zu spezifischen Netzwerkkonfigurationsvorgängen finden Sie im elektronischen Handbuch.

## ENTSORGUNG DES GERÄTS

Dieses Gerät darf nicht mit dem normalen Hausmüll entsorgt werden.

### Verpackungsmaterialien

Die Verpackungsmaterialien mit dem Recycling-Symbol sind recycelbar. Entsorgen Sie die Verpackung in dem dafür vorgesehenen Sammelcontainern.

### Vor der Entsorgung des Gerätes

1. Stecken Sie den Hauptschalter aus der Steckdose.
2. Trennen Sie das Netzkabel ab und entsorgen Sie es mit dem Netzstecker.

## WARNUNG

Die Kühlschränke enthalten Kältemittel und Gase in der Isolierung. Die Kältemittel und Gase müssen fachgerecht entsorgt werden, da sie zu Augenverletzungen oder Entzündung führen können.

Stellen Sie sicher, dass der Schlauch des Kühlkreislaufs vor der ordnungsgemäßen Entsorgung nicht beschädigt ist.

	Richtige Entsorgung dieses Produkts
	<p>Diese Markierung zeigt an, dass dieses Produkt in der EU nicht zusammen mit anderen Hausabfällen entsorgt werden sollte. Um mögliche Umwelt- und Gesundheitsschäden aus unkontrollierter Abfallentsorgung zu vermeiden, recyceln Sie es verantwortungsbewusst, um die nachhaltige Wiederverwendung von Rohstoffen zu fördern. Verwenden Sie bitte die entsprechenden Rückgabe- und Sammelsysteme zur Rückgabe Ihres gebrauchten Gerätes oder wenden Sie sich an den Händler, bei dem Sie das Produkt gekauft haben. Sie können dieses Produkt auf umweltfreundliche Weise recyceln.</p>

## VERWENDUNGSVORSCHLAG FÜR DAS GERÄT

Beachten Sie die folgenden Anweisungen, um eine Kontamination von Lebensmitteln zu vermeiden:

- Wenn Sie die Tür längere Zeit geöffnet halten, kann dies zu einer erheblichen Temperaturerhöhung in den Kammern des Geräts führen.
- Reinigen Sie regelmäßig Oberflächen, die mit Lebensmitteln und zugänglichen Ablaufsystemen in Kontakt kommen können.
- Reinigen Sie die Wassertanks, wenn sie 48 Stunden nicht benutzt wurden: Spülen Sie das an eine Wasserversorgung angeschlossene Wassersystem, wenn 5 Tage lang kein Wasser gezogen wurde. (Speziell für Modelle mit Wassertank)
- Sie rohes Fleisch und Fisch in geeigneten Behältern im Kühlschrank auf, damit es nicht mit anderen Lebensmitteln in Berührung kommt oder darauf tropft.
- Zwei-Sterne-Tiefkühlfächer eignen sich für die Lagerung von Tiefkühlkost, die Lagerung oder Herstellung von Eiscreme und die Herstellung von Eiswürfeln.
- Ein-, Zwei- und Drei-Sterne-Abteile sind nicht zum Einfrieren frischer Lebensmittel geeignet.
- Wenn das Kühlgerät längere Zeit leer gelassen wird, schalten Sie das Gerät aus, entfrosten, reinigen, trocknen und lassen Sie die Tür offen, um Schimmelbildung im Gerät zu vermeiden.
- **HINWEIS:** Die folgenden Informationen dienen nur als Referenz, da die Funktionen je nach Modell unterschiedlich sein können. Weitere Einzelheiten finden Sie im E-Handbuch.

Reihenfolge	Fächer Typ	Zielaufbewahrungstemp. [°C]	Geeignete Lebensmittel	Haltbarkeit
1	Kühlschrank	+2~+8	Eier, Fertiggerichte, abgepackte Lebensmittel, Obst und Gemüse, Milchprodukte, Kuchen, Getränke und andere Lebensmittel sind nicht zum Einfrieren geeignet.	/
2	Vier Sterne	≤-18	Meeresfrüchte, Süßwasserprodukte und Fleisch.	≤ 3 Monate
3	Drei Sterne	≤-18		≤ 2 Monate
4	Zwei Sterne	≤-12		≤ 1 Monat
5	Ein Stern	≤-6		
6	Null-Stern	-6~0	Frisches Schweinefleisch, Rindfleisch, Fisch, Hühnchen, einige abgepackte verarbeitete Lebensmittel usw. Teilweise eingekapselte verarbeitete Lebensmittel (nicht einfrierfähige Lebensmittel)	≤ 3 Tage
7	Kühle	-3~+3	Meeresfrüchte, Schweinefleisch, Rindfleisch, Hühnchen, Süßwasseraquarienprodukte usw.	2~7 Tage
8	Frishes Essen	0~+4	Frishes Schweinefleisch, Rindfleisch, Fisch, Hühnchen, gekochte Speisen usw.	≤ 3 Tage
9	Wein	+5~+20	Rotwein, Weißwein, Sekt usw.	/

# Hisense

life reimagined



## MANUALE OPERATIVO PER L'UTENTE

Prima della messa in funzione di questo apparecchio, leggere attentamente il presente manuale e conservarlo per riferimento futuro

Questa è una versione breve del Manuale Utente. Per ulteriori informazioni, scansionare il codice QR qui sopra per visualizzare la versione completa del manuale.

### NOTA:

1. Regola il tuo dispositivo mobile o tablet in modalità verticale durante la navigazione dei manuali elettronici per ottenere la migliore esperienza visiva.
2. Per garantire un'esperienza fluida con la funzione di download dei manuali elettronici, ti consigliamo di utilizzare i browser Google Chrome, Microsoft Edge o Safari.

IT

Italiano

## INFORMAZIONI DI AVVERTENZA E SICUREZZA

### Prima di utilizzare il prodotto per la prima volta

Prima di collegare il dispositivo alla rete elettrica, leggere attentamente le istruzioni per l'uso, che descrivono il dispositivo e il suo utilizzo corretto e sicuro. Le istruzioni si applicano a diversi tipi/modelli di apparecchi; pertanto, le impostazioni o le apparecchiature qui descritte non disponibili nel vostro apparecchio. Si consiglia di conservare questo manuale di istruzioni per riferimento futuro e di allegarlo al dispositivo in caso di futura vendita.

Controlla il tuo dispositivo per eventuali danni o anomalie. Se trovi che il tuo apparecchio è danneggiato, avvisa il rivenditore dove lo avete acquistato.

Prima di collegare il dispositivo alla rete elettrica, lasciarlo in posizione verticale per almeno 2 ore. Ciò ridurrà la possibilità di guasti di funzionamento dovuti all'effetto del trasporto sul sistema di raffreddamento.

### Importanti istruzioni di sicurezza



#### **AVVERTENZA**

#### **Rischio di incendio / materiali infiammabili.**

L'apparecchio deve essere collegato alla rete elettrica e messo a terra in conformità alle norme e regolamenti vigenti.

**AVVERTENZA!** Non individuare più prese portatili o alimentatori portatili sul retro dell'apparecchio.

Prima di pulire il dispositivo, scollegarlo dalla rete elettrica (scollegare il cavo di alimentazione dalla presa a muro).

**⚠ AVVERTENZA!** Se il cavo di alimentazione è danneggiato, deve essere sostituito dal produttore, dal suo servizio di assistenza o da personale qualificato al fine di evitare situazioni pericolose.

**⚠ AVVERTENZA!** Quando si posiziona l'apparecchio, assicurarsi che il cavo di alimentazione non sia intrappolato o danneggiato.

**⚠ AVVERTENZA!** L'illuminazione LED non dev'essere sostituita dall'utente! Se l'illuminazione LED è danneggiata, contattare l'assistenza tecnica.

## INFORMAZIONI DI AVVERTENZA E SICUREZZA

**⚠ AVVERTENZA!** Non utilizzare apparecchi elettrici all'interno degli scomparti per la conservazione degli alimenti, a meno che non siano del tipo consigliato dal produttore.

**⚠ AVVERTENZA!** Non utilizzare dispositivi meccanici o altri mezzi per accelerare il processo di sbrinamento, diversi da quelli consigliati dal produttore.

**⚠ AVVERTENZA!** Per evitare qualsiasi pericolo causato dalla scarsa stabilità del dispositivo, assicurarsi di seguire le istruzioni per l'installazione.

### **Pericolo di ustioni da congelamento**

Per evitare ustioni da congelamento, non mettere mai il cibo congelato in bocca né toccare il cibo congelato.

### **Sicurezza dei bambini e delle persone vulnerabili**

Questo apparecchio non è destinato all'uso da parte di persone (compresi i bambini) con ridotte capacità fisiche, sensoriali o mentali, o con mancanza di esperienza e conoscenza, a meno che non siano state sottoposte a supervisione o istruzioni sull'uso dell'apparecchio da parte di una persona responsabile della loro sicurezza.

I bambini dovrebbero essere supervisionati per assicurarsi che non giochino con l'apparecchio.

La pulizia e la manutenzione da parte dell'utente non devono essere effettuate da bambini non sorvegliati.

Rimuovere l'eventuale imballaggio destinato a proteggere il dispositivo o parti particolari durante il trasporto e tenerlo fuori dalla portata dei bambini. Presenta pericolo di lesioni o soffocamento.

Quando si rimuove un elettrodomestico usato, scollegare il cavo di alimentazione, rimuovere la porta e lasciare i ripiani nell'elettrodomestico. Ciò impedirà ai bambini di chiudersi nell'apparecchio.

### **Solo per i mercati europei**

Questo apparecchio può essere utilizzato da bambini di età superiore agli 8 anni e persone con ridotte capacità fisiche, sensoriali o mentali o mancanza di esperienza e conoscenza, qualora siano controllati o istruiti all'uso dell'apparecchio in modo sicuro e comprendano i rischi derivanti.

I bambini non devono giocare con l'apparecchio.

## INFORMAZIONI DI AVVERTENZA E SICUREZZA

La pulizia e la manutenzione da parte dell'utente non devono essere effettuate da bambini non sorvegliati.

I bambini di età compresa tra 3 e 8 anni sono autorizzati a caricare e scaricare apparecchi di refrigerazione.

### **Avvertenza relativa al refrigerante**

L'apparecchio contiene una piccola quantità di gas ecologico ma infiammabile R600a. Assicurarsi che nessuna parte del sistema di raffreddamento sia danneggiata. La perdita di gas non è pericolosa per l'ambiente, ma potrebbe causare lesioni agli occhi o incendi.

In caso di perdita di gas, ventilare accuratamente la stanza, scollegare l'apparecchio dalla presa di corrente e chiamare un tecnico dell'assistenza.

### **Informazioni importanti sull'uso dell'apparecchio**

**AVVERTENZA!** Questo elettrodomestico deve essere utilizzato in applicazioni domestiche e simili come:

- aree di cucina per il personale in negozi, uffici e altri ambienti di lavoro;
- agriturismi e dai clienti in hotel, motel e altri ambienti di tipo residenziale;
- ambienti di tipo bed and breakfast;
- ristoranti e simili attività di vendita non al dettaglio.

**⚠ AVVERTENZA!** Mantenere le aperture per la ventilazione libere da ostruzioni, sia dell'intera struttura sia dei componenti integrati.

L'apparecchio non può essere utilizzato all'aperto o esposto alla pioggia.

Non conservare sostanze esplosive, come bombolette spray con propellente infiammabile, in quest'apparecchio.

Se non utilizza l'apparecchio per un lungo periodo, spegnerlo tramite l'apposito pulsante e scollegarlo dalla rete elettrica. Svuotare l'apparecchio, sbrinarlo, pulirlo e lasciare la porta socchiusa.

In caso di errore o interruzione dell'alimentazione elettrica, non aprire il vano congelatore a meno che il congelatore non sia in funzione da più di 16 ore. Trascorso questo periodo utilizzare gli alimenti congelati oppure provvedere a un raffreddamento sufficiente (ad es. con un apparecchio sostitutivo).

### **Informazioni tecniche sull'apparecchio**

La targhetta identificativa si trova all'interno dell'apparecchio. Indica dati su tensione, volume lordo e netto, tipo e quantità di refrigerante e informazioni sulle classi climatiche.

## INFORMAZIONI DI AVVERTENZA E SICUREZZA

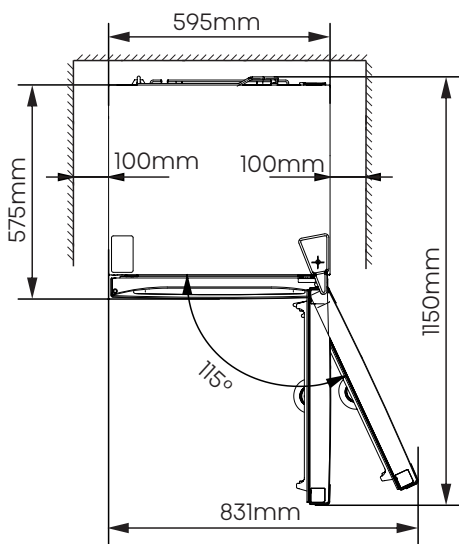
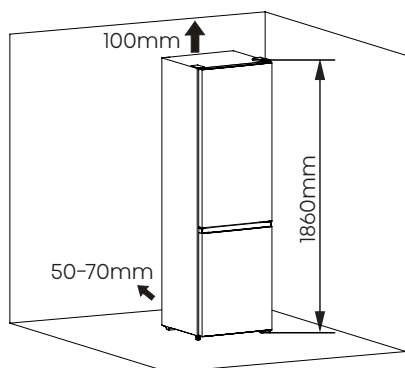
Se la lingua riportata sulla targhetta non è quella da voi scelta o la lingua del vostro Paese, sostituirla con quella fornita.

**⚠ AVVERTENZA!** Non danneggiare il circuito del refrigerante.

## INSTALLAZIONE DEL NUOVO APPARECCHIO

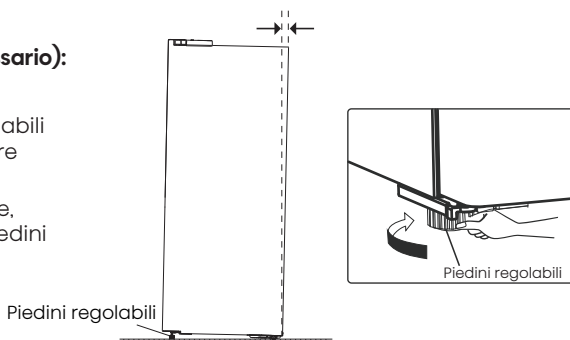
- Posiziona l'apparecchio in un luogo asciutto e ben ventilato. Non esporlo direttamente alla luce solare, pioggia o ghiaccio.
- Il diagramma mostra l'escursione termica per ciascuna classe climatica. La classe climatica di questo apparecchio è specificata sulla targhetta identificativa. L'utilizzo al di fuori di questo intervallo potrebbe comportare prestazioni scadenti.
- Intorno all'apparecchio deve essere disponibile uno spazio libero sufficiente per facilitare la ventilazione e la dissipazione del calore.
- Lo spazio consigliato è indicato in figura.

Classe climatica	Temperatura ambiente
SN	+10°C a +32°C
N	+16°C a +32°C
ST	+16°C a +38°C
T	+16°C a +43°C



### Livellamento dell'apparecchio (se necessario):

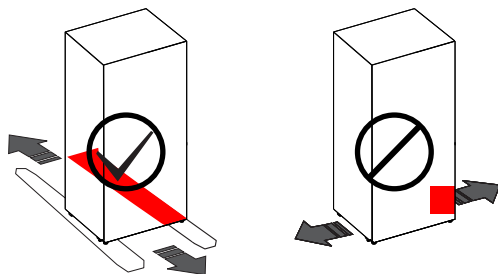
- La figura è solo di riferimento.
- L'apparecchio è dotato di piedini regolabili che possono essere utilizzati per livellare l'apparecchio.
- Per consentire l'autochiusura delle ante, inclinare il top all'indietro ruotando i piedini regolabili.



## INSTALLAZIONE DEL NUOVO APPARECCHIO

### ! AVVERTENZA

- Per un'installazione idonea, questo frigorifero deve essere posizionato su un piano rigido che sia alla stessa altezza del resto del pavimento. Questa superficie deve essere abbastanza resistente da sopportare il peso di un frigorifero a pieno carico.
- I rulli devono essere utilizzati solo per il movimento in avanti o all'indietro. Spostare il frigorifero lungo i lati potrebbe danneggiare il pavimento e i rulli.



## DESCRIZIONE DELL'APPARECCHIO

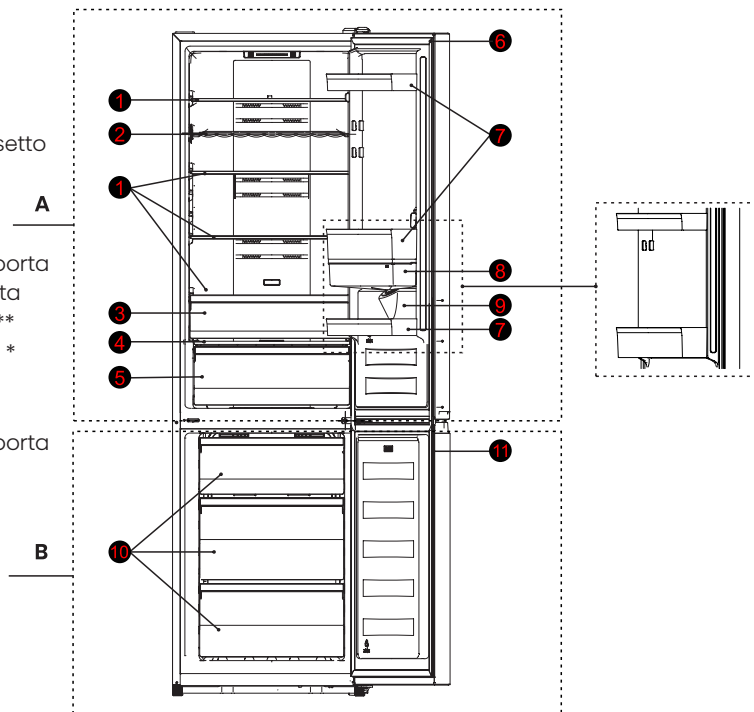
- La dotazione interna dell'apparecchio può variare a seconda del modello dell'apparecchio.
- Il diagramma potrebbe differire leggermente dall'unità acquistata, consultare il manuale elettronico per ulteriori informazioni.

### A: Frigorifero

1. Ripiano in vetro
2. Portabottiglie \*
3. Cassetti
4. Coperchio del cassetto frutta e verdura
5. Cassetto frutta e verdura
6. Guarnizione della porta
7. Supporto della porta
8. Deposito d'acqua \*\*
9. Erogatore d'acqua \*

### B: Congelatore

10. Cassetti
11. Guarnizione della porta



\* : Solo in alcuni modelli.

\*\* : Se il modello non è dotato di distributore d'acqua, il serbatoio dell'acqua viene sostituito dal ripiano per porta.

## PANNELLO DI CONTROLLO

**NOTA:** Il pannello di controllo può variare in base al modello, quindi scegli in base al tuo dispositivo. Per ulteriori informazioni fare riferimento al manuale elettronico.

Per un'ottima conservazione del cibo, consigliamo che quando attivi il frigorifero per la prima volta, la temperatura per il frigorifero sia impostata a 4°C. Se vuoi cambiare la temperatura, segui le istruzioni sotto.

**NOTA:** L'impostazione alta temperatura accelererà lo spreco di cibo.

### Attenzione!

Quando si imposta una temperatura, si imposta un valore medio di tutta l'unità. Le temperature all'interno di ogni comparto possono variare rispetto ai valori di temperatura visualizzati sul pannello, a seconda di quanto cibo si conserva e dove lo si posiziona. La temperatura ambiente può anche influenzare la temperatura effettiva all'interno dell'apparecchio.

### TIPO 1: Pannello display nella porta



#### Frigorifero

- Premere su "°C" per impostare la temperatura del frigorifero tra 2°C e 8°C, secondo le proprie esigenze, e il pannello del display mostrerà i valori corrispondenti alla seguente sequenza.

#### ❄️ Super Freeze

La funzione Super Freeze abbasserà rapidamente la temperatura del congelatore, velocizzando i tempi di congelamento del cibo.

- È possibile premere "°C" per 3 secondi per accedere alla modalità Super Freeze, la temperatura del congelatore verrà impostata su -24°C.
- La modalità Super Freeze si disattiva automaticamente dopo 52 ore e la temperatura del congelatore ritornerà alle precedenti impostazioni.



#### Vacanza

Qualora vi assentiate per un lungo periodo di tempo, la modalità premere "°C" per attivare quest'opzione.

- Quando la modalità Vacanza viene attivata, la luce si illuminerà. La temperatura del congelatore verrà impostata a -18°C e quella del frigorifero a 15°C.

### Importante!

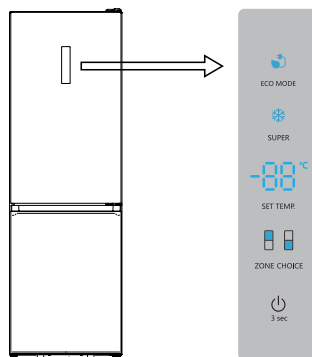
Non introdurre nessun alimento nel frigorifero in questo momento.

#### 🔘 Interruttore

È possibile accendere o spegnere l'apparecchio premendo questo pulsante.

- Premere "🔘" per 1 secondo e, dopo un segnale acustico, l'apparecchio si accenderà.
- Premere "🔘" per 3 secondi e, dopo un segnale acustico, l'apparecchio si spegnerà.

### TIPO 2: Pannello di visualizzazione sulla porta



#### Frigorifero

Premere "ZONE CHOICE", la spia "🔘" si accenderà. Quindi premere "SET TEMP.", è possibile impostare la temperatura del frigorifero tra 2°C e 8°C in base alle proprie esigenze.

#### Congelatore

Premere "ZONE CHOICE", quando la spia "🔘" si accende. Quindi premere "SET TEMP.", è possibile impostare la temperatura del congelatore tra -14°C e -24°C secondo necessità, e il pannello display visualizzerà i valori corrispondenti secondo la seguente sequenza.

#### ❄️ Super Freeze

La funzione Super Freeze abbasserà rapidamente la temperatura del congelatore, velocizzando i tempi di congelamento del cibo.

- È possibile premere "SUPER" per accedere alla modalità Super Freeze, la temperatura del super congelamento verrà impostata su -24°C.

## PANNELLO DI CONTROLLO

- La modalità Super Freeze si disattiva autonomamente dopo 52 ore e la temperatura del congelatore ritornerà alle precedenti impostazioni.

### Energia ecologica

Questa funzione fa funzionare il congelatore in modalità di risparmio energetico, utile per ridurre il consumo di energia quando si è assenti.

- Si può premere "ECO MODE" per entrare nella modalità di risparmio energetico.
- Quando è attivata la modalità di risparmio energetico economico, la temperatura del congelatore verrà impostata su -17°C e quella del frigorifero su 6°C.

### Interruttore

È possibile accendere o spegnere l'apparecchio premendo questo pulsante.

- Premere "⏻" per 3 secondi, dopo il suono del cicalino, nel frattempo la luce digitale mostra "OF", l'apparecchio sarà spento.
- Premere "⏻" per 3 secondi e, dopo un segnale acustico, l'apparecchio si accenderà.

### Allarme

- Quando la porta del frigorifero è aperta per oltre 2 minuti, suonerà l'allarme porta. Il cicalino smetterà di suonare automaticamente dopo 8 minuti.
- Per risparmiare energia, evitare di tenere la porta aperta per lungo tempo.

## UTILIZZO DELL'APPARECCHIO

**NOTA:** Questa funzionalità è disponibile solo sui modelli dotati di erogatore d'acqua.

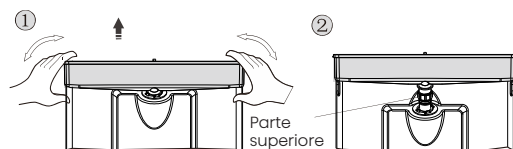
### Erogatore d'acqua

Il distributore d'acqua fornisce acqua refrigerata senza aprire il frigorifero.

### Prima dell'utilizzo

Pulire il distributore d'acqua prima di utilizzarlo per la prima volta.

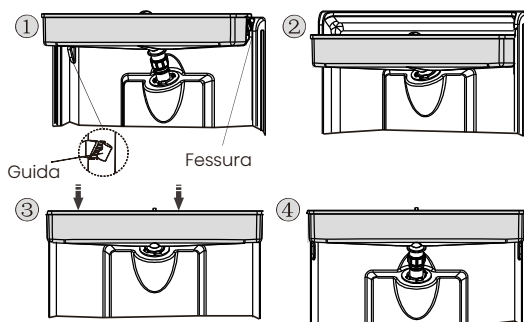
1. Rimuovere il serbatoio dell'acqua afferrandolo ai lati e scuotendolo.
2. Svitare la testa e pulirla e l'interno del serbatoio (compresi entrambi i coperchi).
3. Asciugarlo in modo naturale o utilizzando un asciugacapelli.



### Montaggio

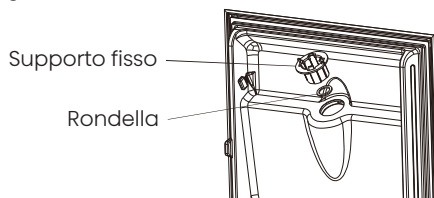
Dopo la pulizia, rimontare le parti in ordine inverso rispetto alla pulizia e montarle sulla porta.

1. Inserire l'estremità superiore nel foro.
2. Installare il serbatoio dell'acqua lungo i binari.
3. Premere i due lati del serbatoio verso il basso.
4. L'installazione viene completata con un clic.

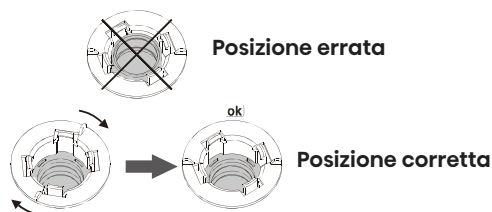


### Avvertenza

1. Fare attenzione a non esercitare pressione sulla parte superiore.
2. Quando si monta il serbatoio dell'acqua, assicurarsi prima che la parte superiore sia inserita nel foro.
3. Se la guarnizione viene installata al contrario o allentata durante lo smontaggio del serbatoio dell'acqua, svitare prima la staffa di fissaggio, reinstallare la guarnizione e infine reinstallare la staffa.

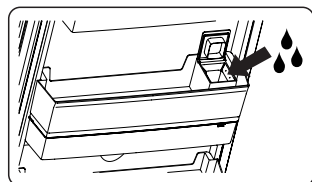


## UTILIZZO DELL'APPARECCHIO



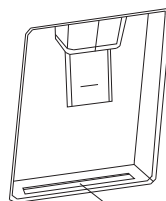
### Riempimento d'acqua

1. Prima di riempire il serbatoio accertarsi che sia stabile e nella posizione corretta.
2. Riempirlo fino ai 4 litri suggeriti per evitare traboccamenti, rimuovendo il tappo piccolo e riempiendo attraverso l'ingresso del tappo grande, oppure rimuovendo il tappo del serbatoio e riempiendo direttamente.



### Avvertenza

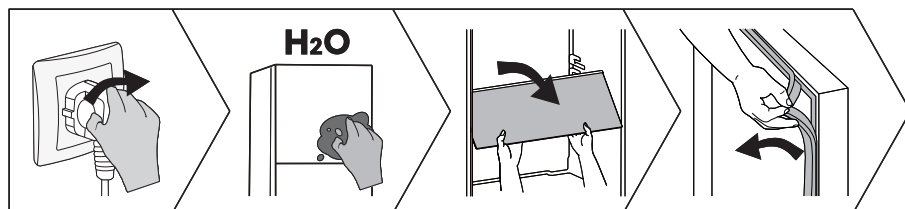
1. Si consiglia di non inserire altre bevande (latte, succhi, bevande gassate, ecc.), ad eccezione dell'acqua potabile.
2. È vietato riempire il serbatoio dell'acqua calda.
3. Per evitare perdite di aria fredda, le parti del distributore d'acqua (in particolare il serbatoio dell'acqua e la testa) devono essere installate anche quando non vengono utilizzate.
4. Pulire regolarmente il serbatoio con un panno asciutto prima che trabocchi.



Serbatoio di ricezione dell'acqua

## PULIZIA E MANUTENZIONE

- Per mantenere l'igiene, pulire regolarmente il dispositivo (accessori esterni ed interni) almeno ogni due mesi.
- Assicurati che il dispositivo sia completamente asciutto prima di riaccenderlo e collegarlo a una presa elettrica.
- Pulisci l'interno del dispositivo con una soluzione diluita di bicarbonato di sodio, quindi risciacqua con una spugna strizzata o un panno inumidito con acqua tiepida.
- Fare attenzione a mantenere pulite le guarnizioni delle porte. Cibi e bevande appiccicosi possono causare l'adesione delle guarnizioni al mobiletto. Lavare le guarnizioni con un detergente delicato e acqua calda. Risciacquare e asciugare con cura dopo la pulizia.
- Questo prodotto contiene una sorgente luminosa di classe di efficienza energetica F.
- Per ulteriori dettagli sulla pulizia, fare riferimento al manuale elettronico.



## CONSIGLI E SUGGERIMENTI UTILI

### Consigli sul risparmio di energia

Vi raccomandiamo di seguire i consigli per risparmiare energia.

- Cercate di evitare di tenere la porta aperta per lunghi periodi al fine di risparmiare energia.
- Assicurarsi che l'apparecchio sia lontano da qualsiasi fonte di calore.
- Non impostare la temperatura più fredda del necessario.
- Non conservare cibi caldi o liquidi in evaporazione nell'apparecchio.

### Spegnimento dell'apparecchio

Se l'apparecchio deve essere spento per un periodo prolungato, devono essere adottate le seguenti precauzioni per evitare la formazione di muffa nell'apparecchio.

1. Rimuovere tutti gli alimenti.
  2. Togliere la spina dalla presa di corrente.
  3. Pulire e asciugare l'interno completamente.
  4. Assicurarsi che tutte le porte siano leggermente aperte, per far circolare l'aria.
- Per ulteriori informazioni fare riferimento al manuale elettronico.

## RISOLUZIONE DEI PROBLEMI

- Se riscontri un problema con il tuo apparecchio o temi che l'apparecchio non funzioni correttamente, puoi eseguire i seguenti semplici controlli prima di chiamare l'assistenza.
- **NOTA:** Maggiori informazioni sono disponibili nel manuale elettronico.

### AVVERTENZA

Non tentare di riparare l'apparecchio da soli. Se il problema persiste dopo aver effettuato i controlli di seguito elencati, contattare un elettricista qualificato, un tecnico autorizzato o il proprio rivenditore.

### PERICOLO

Rischio di intrappolamento del bambino. Prima di gettare via il tuo vecchio frigorifero o freezer:

- Smonta le porte.
- Lascia i ripiani al loro posto così che i bambini non possano facilmente entrare dentro.

Problema	Possibile causa e soluzione
L'apparecchio non funziona correttamente	Controllare se il cavo di alimentazione sia inserito nella presa di corrente in modo corretto.
	La temperatura ambiente è troppo bassa. Prova a impostare la temperatura ambiente ad un livello più freddo per risolvere questo problema.

## RISOLUZIONE DEI PROBLEMI

Problema	Possibile causa e soluzione
Uno strato di brina si è formato nel vano	Verificare che le prese d'aria non siano ostacolate dal cibo e collocare gli alimenti all'interno dell'apparecchio per consentire una ventilazione adeguata. Assicurarsi che la porta possa essere completamente chiusa.
La temperatura all'interno è troppo calda	Si può avere lasciato le porte aperte troppo a lungo o troppo spesso; o le porte sono tenute aperte da qualche ostacolo; o l'apparecchio si trova con spazio insufficiente ai lati, posteriormente e superiormente.
Impossibile collegare l'apparecchio alla rete Wi-Fi	La password Wi-Fi è stata inserita in modo errato oppure non è possibile trovare la rete. Fare riferimento al manuale elettronico per le operazioni specifiche di configurazione della rete.

## SMALTIMENTO DELL'APPARECCHIO

È vietato smaltire questo apparecchio come rifiuto domestico.

### Materiali di imballaggio

I materiali di imballaggio con il simbolo di riciclaggio sono riciclabili. Smaltire l'imballaggio in un contenitore di raccolta dei rifiuti idoneo.


### Prima dello smaltimento dell'apparecchio

1. Estrarre la spina dalla presa di corrente.
2. Staccare il cavo di alimentazione e smaltirlo con la spina.

## AVVERTENZA

I frigoriferi contengono refrigerante e gas nell'isolamento. Il refrigerante e i gas devono essere smaltiti professionalmente in quanto possono causare lesioni agli occhi o combustione.

Assicurarsi che la tubatura del circuito del refrigerante non sia danneggiata prima del corretto smaltimento.

	Corretto smaltimento del prodotto
	<p>Questo simbolo indica che questo prodotto non deve essere smaltito con gli altri rifiuti domestici nel territorio dell'UE. Per prevenire danni all'ambiente o alla salute umana a causa di uno smaltimento non conforme, riciclarlo in modo responsabile per promuovere il sostenibile riutilizzo delle risorse rinnovabili. Per restituire il dispositivo usato, utilizzare i sistemi di restituzione e raccolta o contattare il rivenditore presso il quale è stato acquistato il prodotto. Essi possono ritirare questo prodotto per un riciclaggio ambientale sicuro.</p>

## CONSIGLI PER L'USO DELL'APPARECCHIO

Per evitare la contaminazione del cibo, si prega di rispettare le seguenti istruzioni:

- L'apertura della porta per lunghi periodi può causare un notevole aumento della temperatura negli scomparti dell'apparecchio.
- Pulire regolarmente le superfici che possono venire a contatto con cibo e sistemi di drenaggio accessibili.
- Pulire i serbatoi dell'acqua se non sono stati utilizzati per 48 ore; lavare l'impianto idrico collegato a una rete idrica se l'acqua non è stata aspirata per 5 giorni. (Speciale per modelli con serbatoio acqua)
- Conservare la carne e il pesce crudi in contenitori adatti in frigorifero, in modo che non vengano a contatto con altri alimenti o vi gocciolino sopra.
- Gli scomparti per alimenti surgelati a due stelle sono adatti per conservare cibi surgelati, conservare o preparare gelati e produrre cubetti di ghiaccio.
- Gli scomparti a una, due e tre stelle non sono adatti per il congelamento di alimenti freschi.
- Se il frigorifero viene lasciato vuoto per lunghi periodi, spegnere, scongelare, pulire, asciugare e lasciare lo sportello aperto per evitare lo sviluppo di muffa all'interno dell'apparecchio.
- **NOTA:** Le seguenti informazioni sono solo di riferimento poiché le caratteristiche possono variare in base al modello. Si prega di ottenere maggiori dettagli nel manuale elettronico.

Ordine	Tipo Scomparti	Temperatura di conservazione ideale [°C]	Cibo appropriato	Periodo di conservazione
1	Frigorifero	+2~+8	Uova, cibo cotto, cibo confezionato, frutta e verdura, latticini, torte, bevande e altri alimenti non sono adatti al congelamento.	/
2	Quattro-stelle	≤-18	Frutti di mare, prodotti acquatici d'acqua dolce e carni.	≤3 mesi
3	Tre-stelle	≤-18		≤2 mesi
4	Due stelle	≤-12		≤1 mese
5	Una-stella	≤-6		
6	Zero-stella	-6~0	Maiale fresco, manzo, pesce, pollo, alcuni alimenti trasformati confezionati, ecc. Alimenti trasformati parzialmente confezionati/incapsulati (alimenti non congelabili)	≤3 giorni
7	Freddo	-3~+3	Frutti di mare, carne di maiale, manzo, pollo, prodotti acquatici d'acqua dolce, ecc.	2~7 giorni
8	Cibo fresco	0~+4	Maiale fresco, manzo, pesce, pollo, cibi cotti, ecc.	≤3 giorni
9	Vino	+5~+20	Vino rosso, vino bianco, vino spumante, ecc.	/

# Hisense

life reimagined



## MANUAL DE OPERACIÓN DE USUARIO

Antes de utilizar este aparato, lea detenidamente este manual y consérvelo para consultas futuras

Esta es una versión abreviada del Manual del Usuario. Para más información, por favor escanee el código QR de arriba para ver la versión completa del manual.

### NOTA:

1. Al navegar por el manual electrónico, ajuste su teléfono móvil o tableta en modo vertical para una mejor experiencia de visualización.
2. Para garantizar una experiencia fluida de descarga del manual electrónico, recomendamos usar Google Chrome, Microsoft Edge o Safari como navegador.

ES

Español

## INFORMACIÓN DE SEGURIDAD Y ADVERTENCIAS

### Antes de utilizar el aparato por primera vez

Antes de conectar el aparato a la red eléctrica, lea atentamente las instrucciones de uso que describen el aparato y su uso correcto y seguro. Las instrucciones se aplican a varios tipos/modelos de aparatos; por lo tanto, puede que se describan ajustes o equipos que no están disponibles en su aparato. Recomendamos guardar este manual para futuras referencias y, si decide vender el aparato, adjuntarlo al mismo.

Verifique si el aparato presenta algún daño o anomalía. Si encuentra que su aparato está dañado, notifíquelo al minorista donde lo adquirió.

Antes de conectar el aparato a la red eléctrica, deje que el aparato repose en una posición vertical durante un mínimo de 2 horas. Esto reducirá la posibilidad de fallos de funcionamiento debido al efecto del transporte en el sistema de refrigeración.

### Instrucciones importantes de seguridad



#### ADVERTENCIA

#### Riesgo de incendio/materiales inflamables

El aparato debe ser conectado a la red eléctrica y estar correctamente conectado a tierra de acuerdo con las normas y regulaciones vigentes.

**¡ADVERTENCIA!** No coloque múltiples conectores portátiles ni fuentes de alimentación portátiles en la parte trasera del aparato.

Antes de limpiar el aparato, asegúrese de desconectarlo de la red eléctrica (retire el cable de la toma de pared).

**⚠ ¡ADVERTENCIA!** Si el cable de alimentación está dañado, debe ser reemplazado por el fabricante, su agente de servicio o personas debidamente calificadas a fin de evitar peligro.

**⚠ ¡ADVERTENCIA!** Al momento de colocar el aparato, asegúrese de que el cable de alimentación no esté atrapado ni dañado.

**⚠ ¡ADVERTENCIA!** ¡El usuario no debe reemplazar la luz LED! Si la luz LED está dañada, póngase en contacto con el servicio de atención al cliente.

## INFORMACIÓN DE SEGURIDAD Y ADVERTENCIAS

**⚠ ¡ADVERTENCIA!** No utilice aparatos eléctricos dentro de los compartimentos de almacenamiento de alimentos del aparato, a menos que sean del tipo recomendado por el fabricante.

**⚠ ¡ADVERTENCIA!** No utilice los dispositivos mecánicos u otros medios, con excepción de los recomendados por el fabricante, para acelerar el proceso de descongelación.

**⚠ ¡ADVERTENCIA!** Para evitar cualquier riesgo derivado de la mala estabilidad del aparato, asegúrese de que esté instalado según las instrucciones.

### Riesgo de quemaduras por congelación

Para evitar quemaduras por congelación, no coloque alimentos congelados en la boca ni toque alimentos congelados.

### Seguridad para niños y personas vulnerables

Este aparato no se diseña para usarse por personas (incluso niños) con capacidades físicas, sensoriales y mentales reducidas o con falta de experiencia y conocimiento a menos que hayan sido supervisados o instruidos sobre el uso del aparato por una persona responsable de su seguridad.

Se debe supervisar a los niños para asegurarse de que no jueguen con el aparato.

La limpieza y el mantenimiento no deben realizarlos niños sin supervisión.

Retire el embalaje destinado a proteger el aparato o partes específicas durante el transporte y manténgalo fuera del alcance de los niños, ya que presenta peligro de lesiones o sofocación.

Al retirar un aparato usado, desconecte el cable de alimentación, retire la puerta y deje los estantes en el aparato. Esto evitará que los niños se encierran dentro del aparato.

### Solo para el mercado europeo

Este aparato puede ser utilizado por niños mayores de 8 años y por personas con capacidades físicas, sensoriales o mentales reducidas o falta de experiencia y conocimientos, siempre que hayan sido supervisados o instruidos sobre el uso seguro y sean conscientes de los peligros asociados.

Los niños no deben jugar con el aparato.

## INFORMACIÓN DE SEGURIDAD Y ADVERTENCIAS

La limpieza y el mantenimiento no deben realizarlos niños sin supervisión.

Los niños de 3 a 8 años tienen permitido usar aparatos de refrigeración.

### Advertencia sobre el refrigerante

El aparato contiene una pequeña cantidad de gas R600a, ecológico pero inflamable. Asegúrese de que no haya partes dañadas del sistema de refrigeración. Una fuga de gas no es peligrosa para el medio ambiente, pero podría causar lesiones o incendio.

Si ocurre una fuga de gas, ventile completamente, desconecte el aparato de la red eléctrica y llame a un técnico de mantenimiento.

### Información importante sobre el uso del aparato

**¡ADVERTENCIA!** Este aparato está diseñado para ser utilizado en el hogar y las aplicaciones similares tales como:

- áreas de personal de cocina en tiendas, oficinas y otros lugares de trabajo;
- granjas y clientes en hoteles, moteles y otros lugares residenciales;
- entornos para huéspedes;
- aplicaciones de restauración y similares no comerciales.

**⚠ ¡ADVERTENCIA!** Mantenga las aperturas de ventilación de la carcasa del aparato o de las estructuras integradas libres de obstrucciones.

Este dispositivo no debe usarse al aire libre ni exponerse a la lluvia.

No almacene las sustancias explosivas tales como latas de aerosol con un propulsor inflamable en este aparato.

Si el aparato no se va a utilizar durante un período prolongado, apáguelo utilizando el botón correspondiente y desenchúfelo de la red eléctrica. Vacíe el aparato, descongélelo, límpielo y deje la puerta semiabierta.

En caso de error o fallo en el suministro de energía, no abra el compartimento del congelador a menos que el congelador no haya funcionado durante más de 16 horas. Después de este período, utilice los alimentos congelados o proporcione una refrigeración suficiente (por ejemplo, un aparato de reemplazo).

### Información técnica sobre el aparato

La placa de características se encuentra en el interior del aparato. Indica datos sobre voltaje, volumen bruto y neto, tipo y cantidad de refrigerante, e información sobre las clases climáticas.

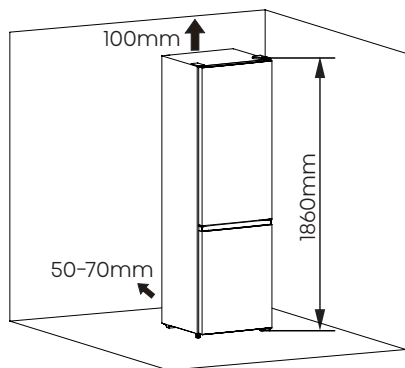
## INFORMACIÓN DE SEGURIDAD Y ADVERTENCIAS

Si el idioma en la placa de características no es el idioma de su elección o el idioma de su país, reemplácelo con el que se suministra.

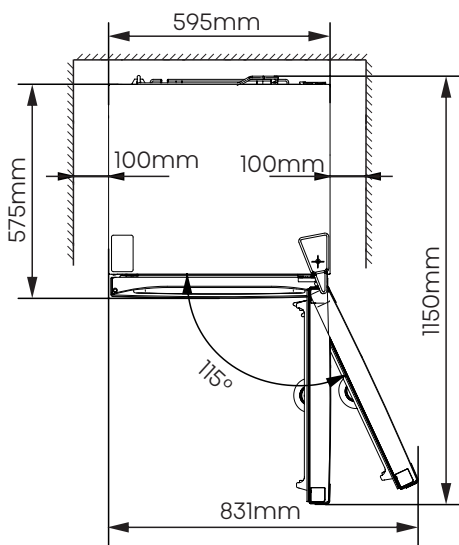
**⚠️ ¡ADVERTENCIA!** No dañe el circuito de refrigerante.

## INSTALACIÓN DEL NUEVO APARATO

- Coloque su aparato en un lugar seco y bien ventilado. Mantenga el aparato apartado de la luz directa del sol, de la lluvia o de la escarcha.
- El diagrama muestra el rango de temperatura de cada clase climática. La clase climática de este aparato se especifica en la placa de características. El uso fuera de este rango puede resultar en un rendimiento deficiente.
- Debe haber suficiente espacio libre alrededor del aparato para facilitar la ventilación y la disipación del calor.
- El espacio sugerido se indica en la figura.

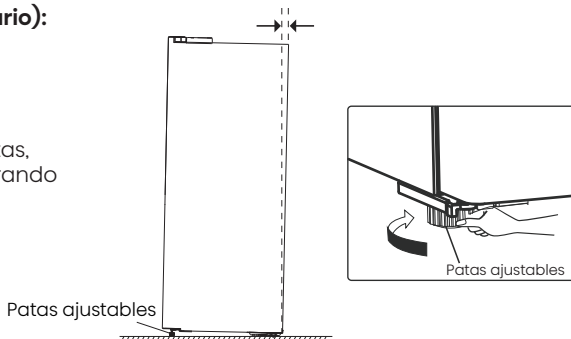


Clase climática	Temperatura ambiente
SN	+10°C a +32°C
N	+16°C a +32°C
ST	+16°C a +38°C
T	+16°C a +43°C



### Estabilización del aparato (si es necesario):

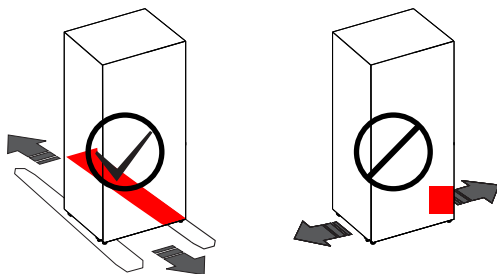
- La figura es solo para referencia.
- El aparato está equipado con patas ajustables que se pueden utilizar para nivelar el aparato.
- Para permitir el autocierre de las puertas, incline la parte superior hacia atrás girando las patas ajustables.



## INSTALACIÓN DEL NUEVO APARATO

### ⚠ ADVERTENCIA

- Para realizar una instalación adecuada, se debe colocar el refrigerador sobre una superficie nivelada de material duro que esté a la misma altura que el resto del suelo. Esta superficie debe ser lo suficientemente fuerte para soportar un refrigerador completamente cargada.
- Las ruedas solo se deben usar para movimiento hacia adelante o hacia atrás. Mover el refrigerador hacia los lados podría dañar el suelo y las ruedas.



## DESCRIPCIÓN DEL APARATO

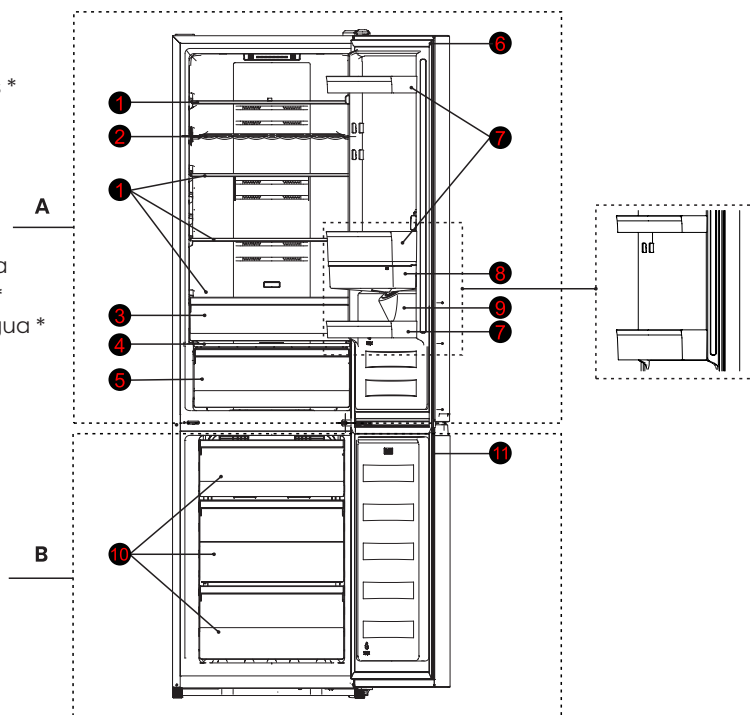
- El equipamiento interior del aparato puede variar según el modelo del aparato.
- El diagrama puede diferir ligeramente del aparato que ha adquirido, por favor, obtenga más información en el E-manual.

### A: Frigorífico

1. Estantes de cristal
2. Estante de botellas \*
3. Cajón
4. Cubierta del cajón Crisper
5. Cajón Crisper
6. Junta de la puerta
7. Baldas de la puerta
8. Tanque de agua \*\*
9. Dispensador de agua \*

### B: Congelador

10. Cajones
11. Junta de la puerta



\* : Solo en algunos modelos.

\*\* : Si el modelo no tiene dispensador de agua, el tanque de agua se reemplaza con una balda de la puerta.

## PANEL DE CONTROL

**NOTA:** El panel de control puede diferir según el modelo, por lo que debe elegirse según su aparato. Para más información, consulte el E-manual.

Para una conservación óptima de los alimentos, se recomienda que al poner en marcha el refrigerador por primera vez, se configure la temperatura a 4°C. Si desea cambiar la temperatura, siga estas instrucciones.

**NOTA:** La configuración de alta temperatura acelerará el desperdicio de alimentos.

### ¡Precaución!

Al ajustar la temperatura, se ajusta la temperatura media de todo el gabinete del refrigerador. La temperatura dentro de cada compartimiento puede variar de los valores de temperatura que se muestran en el panel dependiendo de la cantidad de comida que almacene y el lugar donde esté colocada. La temperatura ambiente también puede afectar la temperatura dentro del aparato.

### TIPO 1: Panel de visualización en la puerta



#### Frigorífico

• Presione "[°C]" para establecer la temperatura entre 2°C y 8°C según sus necesidades; el panel de visualización mostrará los valores correspondientes según la siguiente secuencia.

#### ❄ Super Freeze (Súper Congelación)

Súper Congelación bajará rápidamente la temperatura dentro del congelador para que los alimentos se congelen más rápido.

- Puede presionar "[°C]" durante 3 segundos para entrar en el modo de súper congelación, la temperatura del congelador se establecerá a -24°C.
- Súper Congelación se apaga automáticamente después de 52 horas y el ajuste de temperatura del congelador volverá al ajuste anterior.



#### Vacaciones

Si va a estar fuera durante un largo periodo de tiempo, presione "[°C]" para activar esta función.

- Cuando el modo "Vacaciones" está activado, la luz se ilumina. La temperatura del congelador se establecerá a -18°C y la del frigorífico se establecerá a 15°C.

### ¡Importante!

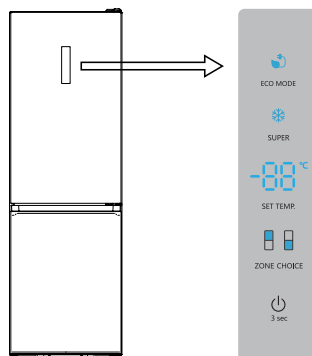
No almacene alimentos en el refrigerador durante ese tiempo.

### 🔊 Interruptor

Puede encender o apagar el aparato presionando este botón.

- Presione "[🔊]" durante 1 segundo, después de un sonido de zumbido, el aparato se encenderá.
- Presione "[🔊]" durante 3 segundos, después de un sonido de zumbido, el aparato se apagará.

### TIPO 2: Panel de visualización en la puerta



#### Frigorífico

Presione "ZONE CHOICE", la luz "[🔊]" se iluminará. A continuación, presione "SET TEMP.", podrá ajustar la temperatura del frigorífico entre 2°C y 8°C según sus necesidades.

#### Congelador

Presione "ZONE CHOICE" cuando se ilumina la luz "[🔊]". Después, presione "SET TEMP.", puede configurar la temperatura del congelador entre -14°C y -24°C según sus necesidades. La pantalla mostrará los valores correspondientes según la siguiente secuencia.

#### ❄ Super Freeze (Súper Congelación)

Súper Congelación bajará rápidamente la temperatura dentro del congelador para que los alimentos se congelen más rápido.

- Puede presionar "SUPER" para entrar en el modo de súper congelación, la temperatura del congelador se establecerá a -24°C.

## PANEL DE CONTROL

- Súper Congelación se apaga automáticamente después de 52 horas y el ajuste de temperatura del congelador volverá al ajuste anterior.

### Energía eco

Esta función hace que el congelador funcione con un modo de ahorro de energía muy útil para reducir el consumo de energía cuando está fuera de casa.

- Presione "ECO MODE" para iniciar el modo de ahorro de energía.
- Cuando el modo de energía económica está activado, la temperatura del congelador se establecerá a  $-17^{\circ}\text{C}$  y la temperatura del frigorífico se establecerá a  $6^{\circ}\text{C}$ .

### Interruptor

Puede encender o apagar el aparato presionando este botón.

- Presione "⏻" durante 3 segundos, después de un sonido de zumbido, mientras que la luz digital muestra "OF", el aparato se apagará.
- Presione "⏻" durante 3 segundos, después de un sonido de zumbido, el aparato se encenderá.

### Alarm (Alarma)

- Cuando la puerta del frigorífico se haya abierto durante más de 2 minutos, se sonará la alarma de la puerta. El zumbador dejará de sonar automáticamente después de 8 minutos.
- Para ahorrar energía, evite mantener la puerta abierta durante periodos largos.

## USO DEL APARATO

**NOTA:** Esta función solo está disponible en modelos con dispensador de agua.

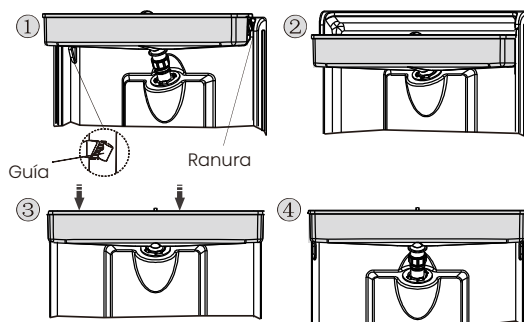
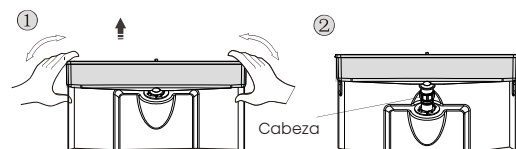
### Dispensador de Agua

El dispensador de agua proporciona agua fría sin necesidad de abrir el refrigerador.

#### Antes del uso

Limpie el dispensador de agua antes de usarlo por primera vez.

1. Sujete ambos lados del tanque y agítelo para retirarlo.
2. Desatornille la cabeza, límpiela y también el interior del tanque (incluyendo ambas tapas).
3. Déjelo secar de forma natural o utilice un secador.



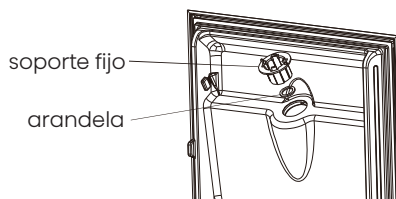
### Advertencia

1. Asegúrese de no presionar la cabeza;
2. Al colocar el tanque de agua, asegúrese de colocar primero la cabeza en el orificio;
3. Si la arandela está invertida o suelta al retirar el tanque, primero desenrosque el soporte fijo, reposicione la arandela y finalmente vuelva a instalar el soporte.

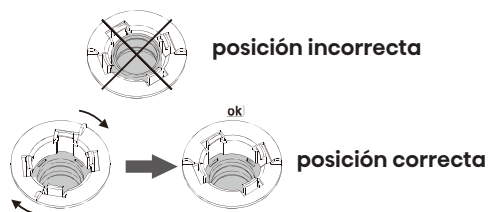
### Montaje

Después de la limpieza, vuelva a montar las piezas en el orden inverso al de la limpieza y colóquelas en la puerta.

1. Inserte la cabeza en el orificio.
2. Coloque el tanque a lo largo de las guías.
3. Presione ambos lados del tanque.
4. La instalación se completa con un sonido de clic.

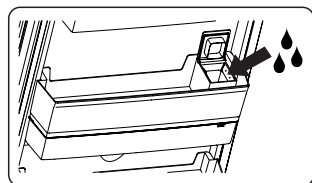


## USO DEL APARATO



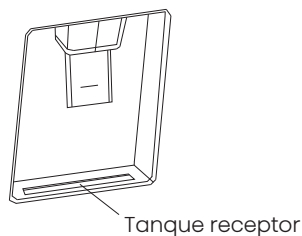
### Llenado con agua

1. Antes de llenar el tanque, asegúrese de que esté estable y posicionado correctamente.
2. Llénelo hasta los 4L sugeridos para evitar desbordamientos, ya sea retirando la pequeña tapa y llenando a través de la entrada de la gran tapa, o retirando la cubierta del tanque y llenando directamente.



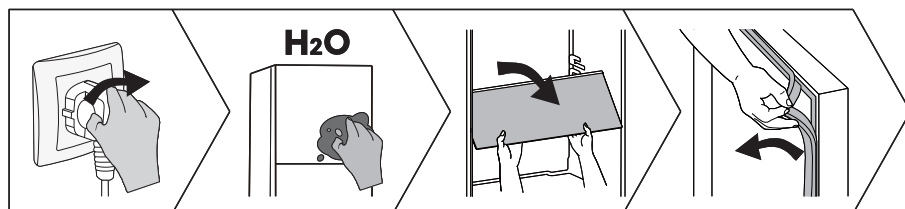
### Advertencia

1. No se recomienda llenar otras bebidas (leche, jugo, bebidas carbonatadas, etc.) excepto agua potable.
2. Está prohibido llenar el tanque de agua con agua caliente.
3. Para evitar fugas de aire frío, las partes del dispensador de agua (especialmente el tanque de agua y la cabeza) deben instalarse incluso cuando no está en uso.
4. Limpie regularmente el tanque con una toalla seca antes de que se desborde.



## LIMPIEZA Y CUIDADO

- Por motivos de higiene, limpie regularmente el aparato (accesorios exteriores e interiores) al menos cada dos meses.
- Asegúrese de que el aparato esté completamente seco antes de volver a encenderlo y conectarlo al enchufe del tomacorriente.
- Limpie el interior del aparato con una solución débil de bicarbonato de sodio y, a continuación, aclárelo con agua tibia usando una esponja o paño rígido.
- Mantenga limpios los sellos de la puerta. Los alimentos y bebidas pegajosos pueden hacer que los sellos se adhieran al gabinete. Lave el sello con detergente suave y agua tibia. Aclárelo y séquelo detenidamente después de limpiarlo.
- Este producto contiene una fuente de luz de clase de eficiencia energética F.
- Para más detalles sobre la limpieza, consulte el E-manual.



## SUGERENCIAS Y CONSEJOS ÚTILES

### Consejos de ahorro de energía

Le recomendamos que siga los consejos de ahorro de energía.

- Evite dejar la puerta abierta durante periodos largos.
- Asegúrese de que el aparato esté alejado de cualquier fuente de calor.
- No ajuste la temperatura más baja de lo necesario.
- No almacene alimentos calientes o líquidos que se evaporan en la unidad.

### Apagado del aparato

Si tiene que apagar el aparato durante un largo periodo de tiempo, debe seguir los siguientes pasos para evitar que le salga moho.

1. Retire todos los alimentos.
2. Desconecte el enchufe del tomacorriente.
3. Limpie y seque completamente el interior.
4. Asegúrese de que todas las puertas queden abiertas ligeramente para permitir que circule el aire.

- Para más información, consulte el E-manual.

## RESOLUCIÓN DE PROBLEMAS

- Si experimenta algún problema con el aparato o le preocupa que no funcione correctamente, puede realizar las siguientes sencillas comprobaciones antes de llamar al servicio técnico.
- **NOTA:** Puede encontrar más información relevante en el E-manual.



### ADVERTENCIA

No intente reparar el aparato usted mismo. Si el problema persiste después de haber realizado las comprobaciones descritas a continuación, póngase en contacto con un electricista cualificado, un ingeniero de mantenimiento autorizado o la tienda donde compró el producto.



### PELIGRO

Riesgo de atrapamiento de niños. Antes de descartar el refrigerador o congelador viejo:

- Retire las puertas.
- Deje los estantes en lugar adecuado para que los niños no puedan meterse dentro fácilmente.

Problema	Causa posible y Solución
El aparato no funciona correctamente	Compruebe si el cable eléctrico está enchufado correctamente en la toma eléctrica.
	La temperatura ambiental es demasiado baja. Intente establecer la temperatura de la cámara en un nivel más frío para solucionar este problema.

## RESOLUCIÓN DE PROBLEMAS

Problema	Causa posible y Solución
Hay una capa de escarcha en el compartimento	Compruebe que las salidas de aire no estén bloqueadas con alimentos y asegúrese de que la comida esté colocada dentro del aparato de forma que permita una ventilación suficiente. Asegúrese de que la puerta esté completamente cerrada.
La temperatura interior es demasiado alta	Es posible que haya dejado las puertas abiertas demasiado rato o que las haya abierto con demasiada frecuencia, que algún obstáculo las haya mantenido abiertas o que el aparato tenga poco espacio a los lados, por detrás y por encima.
No se puede conectar el aparato a la red WiFi	La contraseña de Wi-Fi se ingresó incorrectamente, o no se pudo encontrar la red. Para operaciones específicas de configuración de red, consulte el manual electrónico.

## ELIMINACIÓN DEL APARATO

Está prohibido eliminar este aparato con los residuos domésticos.

### Materiales de embalaje

Los materiales de embalaje con el símbolo de reciclaje son reciclables. Deseche el embalaje a un contenedor de recogida de residuos adecuado para reciclarlo.


### Antes de desechar el aparato

1. Desconecte el cable de alimentación del tomacorriente.
2. Corte el cable eléctrico y deséchelo con el enchufe.

## ADVERTENCIA

Los refrigeradores contienen refrigerante y gases en el aislamiento. Se debe desechar el refrigerante y los gases de forma profesional, ya que podrían provocar lesiones oculares o ignición.

Asegúrese de que la tubería del circuito de refrigerante no esté dañada antes de desecharla correctamente.

	Eliminación Correcta del producto
	<p>Esta marca indica que este producto no debe eliminarse con otros desechos domésticos en UE. Para evitar posibles daños al medio ambiente o la salud humana por la eliminación incontrolada de residuos, recicle de manera responsable para promover la reutilización sostenible de los recursos materiales. Para devolver su dispositivo usado, utilice los sistemas de devolución y recogida o póngase en contacto con el distribuidor donde compró el producto. Ellos pueden retirar este producto para un reciclaje seguro para el medio ambiente.</p>

## SUGERENCIA DE USO DEL APARATO

Para evitar contaminar los alimentos, siga las siguientes instrucciones:

- Si abre la puerta por largos periodos, puede aumentar significativamente la temperatura de los compartimientos del aparato.
- Limpie regularmente las superficies que puedan estar en contacto con alimentos y sistemas de desagües accesibles.
- Limpie el tanque de agua si no se ha utilizado por 48 horas; purgue el sistema de agua conectado al suministro de agua en caso de no haber extraído agua por 5 días. (Especial para modelos con tanques de agua)
- Almacene la carne y el pescado crudo en los recipientes adecuados del refrigerador para que no estén en contacto ni goteen sobre otros alimentos.
- Los compartimientos de dos estrellas para alimentos congelados son ideales para almacenar alimentos precongelados o cremas heladas y hacer cubitos de hielo.
- Los compartimientos de uno, dos y tres estrellas no son aptos para congelar alimentos frescos.
- Si el refrigerador está vacío por largos periodos, desconéctelo, descongélelo, límpielo, séquelo y deje la puerta abierta para evitar la formación de moho dentro del aparato.
- **NOTA:** La información a continuación es solo para referencia, ya que las funciones pueden variar según los modelos. Por favor, obtenga más detalles en el manual electrónico.

Orden	Tipo de compartimentos	Temperatura de almacenamiento o meta [°C]	Alimentos apropiados	Vida útil de almacenamiento
1	Frigorífico	+2~+8	Los huevos, los alimentos cocidos, los alimentos envasados, las frutas y verduras, los productos lácteos, las tortas, las bebidas y otros alimentos no aptos para congelar.	/
2	Cuatro estrellas	≤-18	Marisco, productos de agua dulce y carnes.	≤3 meses
3	Tres estrellas	≤-18		≤2 meses
4	Dos estrellas	≤-12		≤1 mes
5	Una estrella	≤-6		
6	Cero estrella	-6~0	Cerdo fresco, carne de res, pescado, pollo, algunos alimentos procesados envasados, etc. Alimentos procesados encapsulados o parcialmente empaquetados (alimentos no congelables)	≤3 días
7	Fresco	-3~+3	Marisco, carne de res, pollo, productos de agua dulce, etc.	2~7 días
8	Alimentos frescos	0~+4	Cerdo fresco, carne de res, pescado, pollo, alimentos cocidos, etc.	≤3 días
9	Vino	+5~+20	Vino rojo, vino blanco, vino espumante, etc.	/

# Hisense

life reimagined



## MANUAL DE OPERAÇÃO DO USUÁRIO

Antes de operar esta unidade, leia atentamente este manual e guarde para consultas futuras

Esta é uma versão resumida do Manual de Utilizador. Para mais informação, digitalize o código QR acima para consultar a versão integral do manual.

### NOTA:

1. Ajuste o seu telemóvel ou tablet para o modo horizontal durante a navegação pelos manuais eletrónicos de forma a obter a melhor experiência de visualização.
2. Para garantir uma experiência imaculada com o recurso de download dos manuais eletrónicos, recomendamos que utilize o navegador Google Chrome, Microsoft Edge, ou Safari.

PT

Português

## INFORMAÇÕES DE SEGURANÇA E AVISO

### Antes de utilizar o aparelho pela primeira vez

Antes de ligar o eletrodoméstico à fonte de alimentação, leia cuidadosamente as instruções de utilização que descrevem o eletrodoméstico e a sua utilização correta e segura. As instruções aplicam-se a vários tipos/modelos de eletrodomésticos, por conseguinte, podem ser descritas definições ou equipamentos que não constam no seu eletrodoméstico. Recomendamos que conserve o manual de instruções para consulta futura e que o anexe ao eletrodoméstico caso proceda à sua venda futura.

Verifique se o seu eletrodoméstico não apresenta quaisquer danos ou irregularidades. Caso detete que o seu eletrodoméstico está danificado, notifique o revendedor onde adquiriu o eletrodoméstico.

Antes de ligar o eletrodoméstico à fonte de alimentação, permita que o eletrodoméstico repouse numa posição vertical por um mínimo de 2 horas. Isto reduzirá a possibilidade de problemas de funcionamento devido ao efeito do transporte no sistema de refrigeração.

### Instruções de segurança importantes



#### AVISO

#### Risco de incêndio/materiais inflamáveis.

O eletrodoméstico tem de ser ligado à fonte de alimentação e à terra em conformidade com as normas e regulamentos aplicáveis.

**AVISO!** Não coloque várias saídas de tomada portátil ou fontes de energia portáteis atrás do aparelho.

Antes de limpar o eletrodoméstico, desligue-o da fonte de alimentação (desligue o cabo de alimentação da tomada).

**⚠ AVISO!** Se o cabo de alimentação estiver danificado, ele deve ser substituído pelo fabricante, seu agente de serviço ou pessoas qualificadas para evitar um perigo.

**⚠ AVISO!** Ao posicionar o aparelho, assegure-se que o cabo de alimentação não está preso ou danificado.

**⚠ AVISO!** A luz LED não deve ser substituída pelo usuário! Se a luz do LED estiver danificada, entre em contato com a linha de atendimento ao cliente para obter assistência.

## INFORMAÇÕES DE SEGURANÇA E AVISO

**⚠ AVISO!** Não utilize aparelhos eléctricos no interior dos compartimentos de armazenamento de alimentos do aparelho, a menos que sejam do tipo recomendado pelo fabricante.

**⚠ AVISO!** Não use dispositivos mecânicos ou outros meios para acelerar o processo de descongelamento, exceto os recomendados pelo fabricante.

**⚠ AVISO!** Para evitar qualquer perigo resultante da fraca estabilidade do eletrodoméstico, certifique-se de que este é instalado conforme instruído.

### Perigo de queimadura devido à congelação

Para evitar a queimadura devido à congelação, nunca coloque alimentos congelados na sua boca e não toque nos alimentos congelados.

### Segurança para crianças e para pessoas vulneráveis

Este aparelho não deve ser usado por pessoas (incluindo crianças) com capacidades físicas, sensoriais ou mentais reduzidas, ou falta de experiência e conhecimento, a menos que tenham recebido supervisão ou instruções sobre o uso do aparelho por uma pessoa responsável pela sua segurança.

Crianças devem ser supervisionadas para garantir que não brinquem com o aparelho.

A limpeza e a manutenção do utilizador não devem ser feitas por crianças sem supervisão.

Remova as embalagens destinadas a proteger o eletrodoméstico ou peças previstas para a segurança durante o transporte e mantenha-as fora do alcance das crianças. Estas representam um perigo de lesão ou de asfixia.

Quando remove um eletrodoméstico usado, desligue o cabo de alimentação da tomada, retire a porta e deixe as prateleiras no eletrodoméstico. Isto impedirá que as crianças fiquem presas no interior do eletrodoméstico.

### Apenas para os mercados europeus

Este aparelho pode ser utilizado por crianças com idade igual ou superior a 8 anos e pessoas com capacidades físicas, sensoriais ou mentais reduzidas ou falta de experiência e conhecimento, se tiverem recebido supervisão ou instruções relativas ao uso do aparelho de forma segura e que tenham compreensão dos riscos envolvidos.

As crianças não devem brincar com o aparelho.

## INFORMAÇÕES DE SEGURANÇA E AVISO

A limpeza e a manutenção do utilizador não devem ser feitas por crianças sem supervisão.

Crianças com idade entre 3 e 8 anos podem carregar e descarregar aparelhos de refrigeração.

### **Aviso relativo ao refrigerante**

O eletrodoméstico contém uma quantidade pequena do gás ecológico, contudo, inflamável R600a. Certifique-se de nenhum componente do sistema de arrefecimento se danifica. Uma fuga de gás não é um perigo para o ambiente, mas pode causar lesões oculares ou incêndio.

Na eventualidade de uma fuga de gás, ventile a divisão, desligue o eletrodoméstico da fonte de alimentação e contacte um técnico especializado.

### **Informação importante sobre a utilização do eletrodoméstico**

**AVISO!** Este aparelho destina-se a ser utilizado em aplicações domésticas e similares, tais como:

- áreas de cozinha de funcionários em lojas, escritórios e outros ambientes de trabalho;
- casas de fazenda e clientes em hotéis, motéis e outros ambientes de tipo residencial;
- ambientes de tipo de cama e café da manhã;
- catering e outras aplicações semelhantes de não retalho.

**⚠ AVISO!** Mantenha as aberturas de ventilação, na caixa do aparelho ou na estrutura embutida, sem obstruções.

O eletrodoméstico não pode ser utilizado no exterior e não pode ficar exposto à chuva.

Não armazene substâncias explosivas, como latas de aerossol com um propelente inflamável neste aparelho.

Caso o eletrodoméstico não seja utilizado por um período prolongado, desligue-o utilizando o botão relevante e retire a ficha da tomada. Esvazie o eletrodoméstico, descongele-o, limpe-o e deixe a porta entreaberta.

Na eventualidade de um erro ou de falha de alimentação elétrica, não abra o compartimento do congelador a não ser que o congelador não esteja a funcionar há mais de 16 horas. Decorrido este período, consuma os alimentos congelados ou providencie arrefecimento suficiente (ex. eletrodoméstico de substituição).

### **Informação técnica sobre o eletrodoméstico**

A placa de identificação está localizada no interior do eletrodoméstico. Esta indica dados sobre a tensão, o volume bruto e líquido, o tipo e a quantidade de refrigerante, bem como informação sobre as classes climáticas.

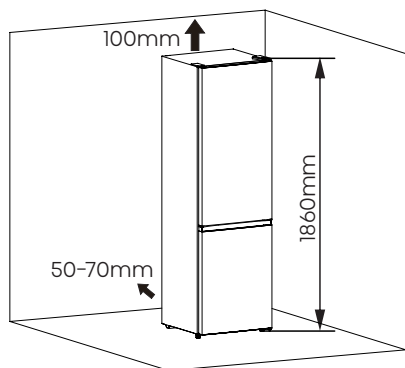
## INFORMAÇÕES DE SEGURANÇA E AVISO

Caso o idioma na placa de identificação não seja o seu idioma de eleição ou o idioma do seu país, substituída pela fornecida.

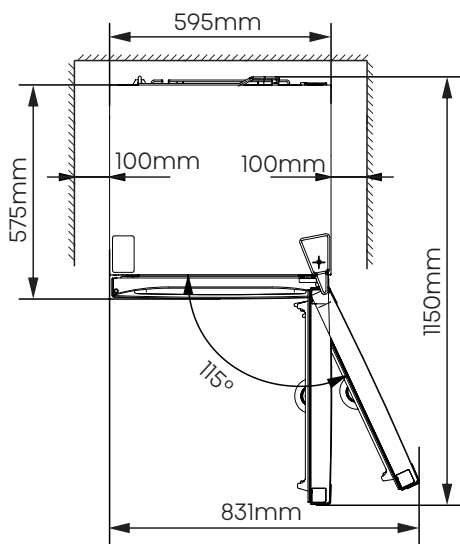
**⚠ AVISO!** Não danifique o circuito refrigerante.

## INSTALAR SEU NOVO APARELHO

- Coloque o seu eletrodoméstico num local seco e bem ventilado. Manter o aparelho fora de luz directa do sol, chuva e gelo.
- O diagrama apresenta o intervalo de temperatura de cada classe climática. A classe climática deste eletrodoméstico é especificada na placa de identificação. A utilização além deste intervalo pode resultar num desempenho fraco.
- Deixe espaço suficiente em torno do eletrodoméstico para facilitar a ventilação e a dissipação do calor.
- O espaço sugerido é indicado na figura.

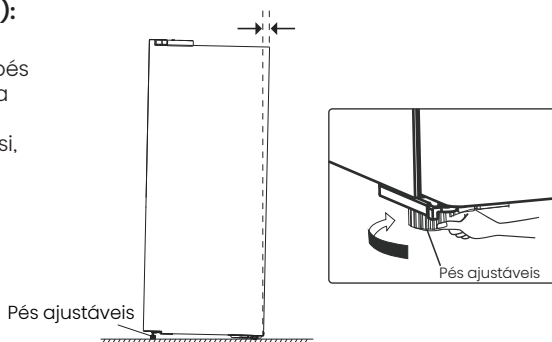


Classe climática	Temperatura ambiente
SN	+10°C a +32°C
N	+16°C a +32°C
ST	+16°C a +38°C
T	+16°C a +43°C



### Nivelar o eletrodoméstico (se necessário):

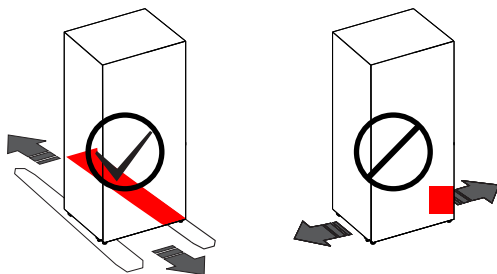
- A figura serve apenas como referência.
- O eletrodoméstico está equipado com pés ajustáveis que podem ser utilizados para nivelar o eletrodoméstico.
- Para permitir que as portas fechem por si, incline o topo para trás rodando os pés ajustáveis cerca.



## INSTALAR SEU NOVO APARELHO

### AVISO

- Para uma instalação adequada, este refrigerador deve ser colocado em uma superfície nivelada de material rígido que tenha a mesma altura que o restante do piso. Esta superfície deve ser forte o suficiente para suportar um refrigerador totalmente carregado.
- As rodas só devem ser utilizadas para deslocar para a frente ou para trás. Mover o refrigerador lateralmente pode danificar sua parte inferior e os rolos.



## DESCRIÇÃO DO APARELHO

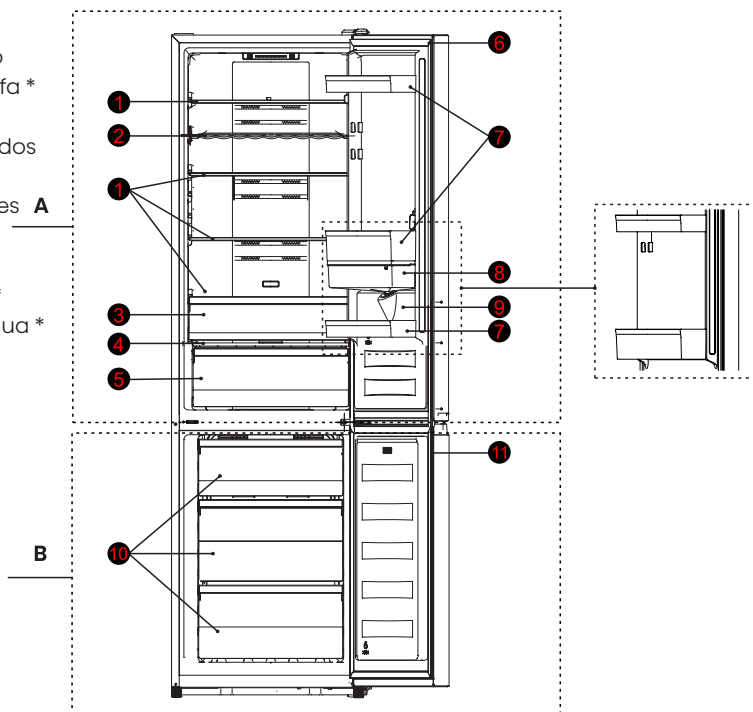
- O equipamento no interior do eletrodoméstico pode mudar consoante o modelo do eletrodoméstico.
- O diagrama pode diferir ligeiramente do eletrodoméstico que adquiriu, obtenha mais informação no manual eletrônico.

### A: Frigorífico

1. Prateleiras de vidro
2. Prateleira de garrafa \*
3. Gavetas
4. Tampa da gaveta dos legumes
5. Gaveta dos legumes **A**
6. Vedação da porta
7. Prateleira da porta
8. Tanque de água \*\*
9. Dispensador de água \*

### B: Congelador

10. Gavetas
11. Vedação da porta



\* : Apenas em alguns modelos.

\*\* : Caso o modelo não disponha de um dispensador de água, o tanque de água é substituído por uma prateleira de porta.

## PAINEL DE CONTROLO

**NOTA:** O painel de controlo pode diferir consoante o modelo, por conseguinte, escolha segundo o seu eletrodoméstico. Consulte o manual eletrónico para mais informação.

Para uma preservação ótima dos alimentos, recomendamos que, quando você ligar a geladeira pela primeira vez, a temperatura da geladeira seja ajustada para 4°C. Se você deseja alterar a temperatura, siga as instruções abaixo.

**NOTA:** A configuração de alta temperatura acelera o desperdício de alimentos.

### Cuidado!

Quando você ajusta uma temperatura, você define uma temperatura média para todo o gabinete do refrigerador. As temperaturas dentro de cada compartimento podem variar em relação aos valores de temperatura exibidos no painel, dependendo da quantidade de alimentos que você armazena e onde você os coloca. A temperatura ambiente também pode afetar a temperatura real dentro do aparelho.

### TIPO 1: Painel do visor na porta



#### Frigorífico

• Pressione "°C" para definir a temperatura do refrigerador entre 2°C e 8°C, conforme necessário, e o painel de exibição exibirá os valores correspondentes de acordo com a sequência a seguir.

#### ❄ Super Freeze (Super Congelamento)

O Super Freeze abaixará rapidamente a temperatura dentro do congelador, para que os alimentos se congelem mais rapidamente.

- Pode premir "°C" por 3 segundos para entrar no modo Super Freeze; a temperatura do congelador será definida para -24°C.
- O Super Freeze desliga-se automaticamente após 52 horas e a definição da temperatura de congelação volta para a configuração anterior.



#### Feriado

Se você estiver ausente por um longo período de tempo, pressione "°C" para ativar esta função.

- Quando o Modo de Feriado está ativado, a luz acende-se. A temperatura do congelador será ajustada para -18°C e a temperatura do refrigerador será ajustada para 15°C.

### Importante!

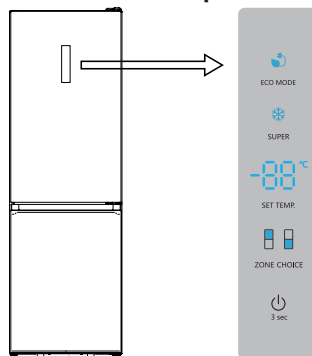
Não guarde nenhum alimento no frigorífico durante este período.

### 🔌 Interruptor

Você pode ligar ou desligar o seu aparelho por pressionar este botão.

- Pressione "🔌" durante 1 segundo, e após um sinal sonoro, o aparelho será desligado.
- Pressione "🔌" durante 3 segundos, e após um sinal sonoro, o aparelho será desligado.

### TIPO 2: Painel visor na porta



#### Frigorífico

Pressione "ZONE CHOICE", o símbolo "📱" irá acender-se. De seguida, prima "SET TEMP.", pode definir a temperatura do frigorífico entre 2°C e 8°C conforme necessário.

#### Congelador

Pressione "ZONE CHOICE", quando a luz "📱" acende. Depois pressione "SET TEMP." para definir a temperatura do congelador entre -14°C e -24°C, conforme as suas necessidades. O painel visor irá mostrar os valores correspondentes de acordo com a seguinte sequência.

#### ❄ Super Freeze (Super Congelamento)

O Super Freeze abaixará rapidamente a temperatura dentro do congelador, para que os alimentos se congelem mais rapidamente.

- Pode premir "SUPER" para entrar no modo Super Freeze, a temperatura do congelador será definida para -24°C.

## PAINEL DE CONTROLO

- O Super Freeze desliga-se automaticamente após 52 horas e a definição da temperatura de congelação volta para a configuração anterior.

### Energia eco

Esta função faz com que o congelador funcione num modo de poupança de energia que é útil para reduzir o consumo de energia quando está fora.

- Pode pressionar "ECO MODE" para ativar o modo de energia económica.
- Quando o modo poupança de energia estiver ativo, a temperatura do congelador será definida para -17°C e a temperatura do frigorífico será definida para 6°C.

### Interruptor

Você pode ligar ou desligar o seu aparelho por pressionar este botão.

- Prima "⏻" por 3 segundos, posteriormente ouvirá um sinal sonoro, entretanto a luz digital apresenta "OF", o eletrodoméstico desligar-se-á.
- Pressione "⏻" durante 3 segundos, e após um sinal sonoro, o aparelho será desligado.

### Alarme

- Quando a porta do frigorífico estiver aberta por mais de 2 minutos, soará o alarme da porta. O sinal sonoro parará automaticamente decorridos 8 minutos.
- Para poupar energia, evite manter a porta aberta por muito tempo.

## UTILIZAÇÃO DO ELETRODOMÉSTICO

**NOTA:** Este recurso só está disponível nos modelos com dispensador de água.

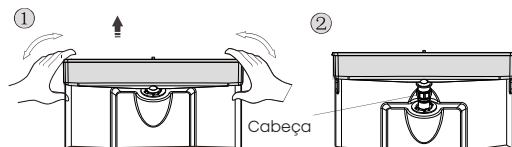
### Dispensador de água

O dispensador de água fornece água fresca sem abrir o frigorífico.

#### Antes de usar

Limpe o dispensador de água antes de o utilizar pela primeira vez.

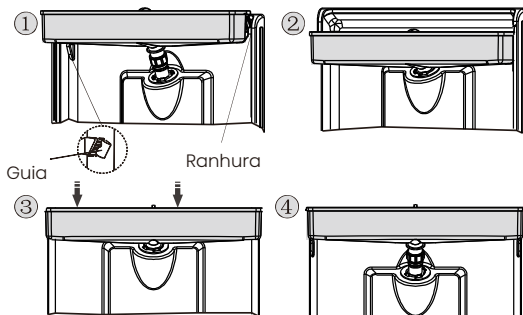
1. Remova o tanque de água segurando nas duas laterais e agitando-o.
2. Desaparafuse a cabeça, limpe-a, bem como o interior do tanque (incluindo ambas as tampas).
3. Seque de forma natural ou usando um secador.



### Montagem

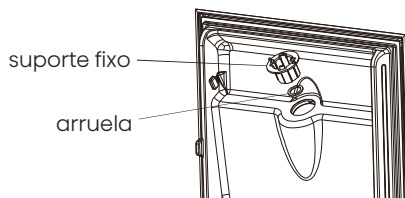
Após limpar, volte a montar os componentes pela ordem inversa à limpeza e fixe-as na porta.

1. Insira a cabeça no buraco.
2. Encaixe o tanque ao longo das guias.
3. Pressione os dois lados do tanque.
4. A instalação está concluída quando ouve um clique.

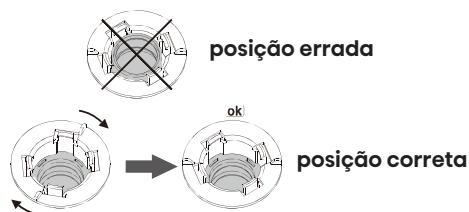


### Aviso

1. Tenha cuidado para não pressionar a cabeça.
2. Ao instalar o depósito de água, certifique-se de que a cabeça está inserida primeiro no orifício.
3. Se a anilha estiver invertida ou folgada quando remove o tanque, desaparafuse primeiro o suporte fixo, reposicione a anilha e, finalmente, volte a colocar o suporte.

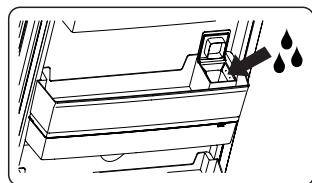


## UTILIZAÇÃO DO ELETRODOMÉSTICO



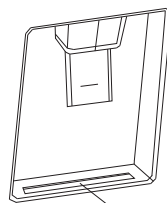
### Enchimento com água

1. Antes de encher o tanque, certifique-se de este se encontra estável e de que está corretamente posicionado.
2. Encha até aos 4L sugeridos para evitar encher em demasia, quer removendo a tampa pequena e enchendo através a entrada da tampa grande, ou removendo a tampa do tanque e enchendo diretamente.



### Aviso

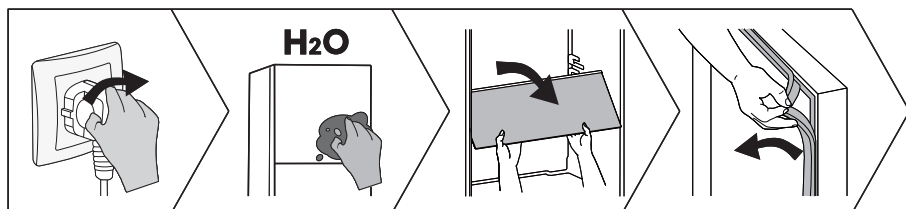
1. Não se sugere que encha com outras bebidas (leite, sumo, bebidas gaseificadas etc.), exceto água potável.
2. É proibido encher o tanque de água com água quente.
3. Para evitar a fuga de ar frio, as peças do dispensador de água (particularmente o tanque de água e a cabeça) têm de ser instalados, mesmo quando não estão a ser utilizados.
4. Limpe o tanque com um pano seco regularmente antes de transbordar.



Tanque de recebimento

## LIMPEZA E CUIDADO

- Por motivos de higiene, limpe o eletrodoméstico (exterior e acessórios interiores) regularmente, pelo menos, duas vezes por mês.
- Garanta que o eletrodoméstico se encontra totalmente seco antes de voltar a ligar ou de ligar à tomada.
- Limpe o interior do eletrodoméstico com uma solução fraca de bicarbonato de sódio e, de seguida, enxague com água quente utilizando uma esponja ou pano torcido.
- Tome cuidado para manter os selos da porta limpos. Os alimentos e bebidas pegajosas podem deixar manchas quando se prendem no armário. Lave os selos com detergente suave e água morna. Enxagúe e seque profundamente depois da limpeza.
- Este produto contém uma fonte de iluminação da classe de eficiência energética F.
- Para mais detalhes sobre a limpeza, consulte o manual eletrónico.



## SUGESTÕES E DICAS ÚTEIS

### Dicas de economia de energia

Recomendamos que siga as dicas para poupar energia.

- Tente evitar manter a porta aberta por longos períodos de tempo.
- Assegure-se de que o eletrodoméstico se encontra afastado de quaisquer fontes de calor.
- Não coloque uma temperatura mais fria do que o necessário.
- Não armazene alimentos quentes ou líquidos a evaporar no aparelho.

### Desligar o seu aparelho

Se o aparelho precisar de ser desligado por um longo período de tempo, os seguintes passos devem ser seguidos para prevenir mofo no aparelho.

1. Remova todos os alimentos.
  2. Remova a ficha das principais tomadas antes.
  3. Limpe e seque completamente o interior.
  4. Assegure que todas as portas são forçosamente abertas para permitir que ar circule.
- Consulte o manual eletrónico para mais informação.

## RESOLUÇÃO DE PROBLEMAS

- Caso tenha um problema com o seu eletrodoméstico ou esteja preocupado com a possibilidade de o eletrodoméstico não estar a funcionar corretamente, pode executar as seguintes verificações antes de contactar um técnico especializado.
- **NOTA:** Pode encontrar mais informação relevante no manual eletrónico.

### AVISO

Não tente reparar o aparelho por si mesmo. Se o problema continuar depois de fazer as examinações abaixo, contacte um electricista qualificado, engenheiro de serviço autorizado ou loja onde comprou o produto.

### PERIGO

Risco de apresamento de crianças. Antes de jogar fora sua refrigerador ou congelador antigo:

- Remova as portas.
- Deixe as prateleiras no devido lugar para dificultar a entrada de crianças.

Problema	Causa possível & solução
O aparelho não está funcionando corretamente	Verifique se o cabo de alimentação está ligado na saída de energia apropriadamente.
	A temperatura ambiente está muito baixa. Tente definir a temperatura do compartimento para um nível mais frio para resolver este problema.

## RESOLUÇÃO DE PROBLEMAS

Problema	Causa possível & solução
Uma camada de geada ocorre no compartimento	Verifique se as saídas de ar não estão bloqueadas por qualquer alimento e certifique-se de que o alimento é colocado dentro do aparelho para permitir uma ventilação suficiente. Assegure-se de que a porta fecha totalmente.
A temperatura no interior é muito alta	Poderá ter deixado as portas abertas por muito tempo ou demasiadas vezes; ou as portas estão a ser mantidas abertas por algum obstáculo; ou o aparelho está num local onde tem objectos dos lados, atrás ou em cima.
Não consegue ligar o eletrodoméstico à rede Wi-Fi	A palavra Wi-Fi foi incorretamente inserida, ou a rede não foi encontrada. Para operações de configuração de rede específicas, consulte o manual eletrónico.

## ELIMINAÇÃO DO APARELHO

É proibido remover o aparelho como resíduos de casa.

### Materiais de embalagem

Os materiais de embalagem com símbolo de reciclagem são recicláveis. Remova o embalagem num recipiente de recolha de resíduos apropriados para reciclar.

### Antes da eliminação do aparelho

1. Puxe a ficha principal das principais tomadas antes.
2. Desligue o cabo de alimentação e deite fora a ficha principal.



### AVISO

Refrigeradores contêm refrigerante e gases na isolação. Refrigerante e gases devem ser eliminados profissionalmente pois podem causar danos oculares ou ignições. Assegure-se que a tubagem do circuito de refrigerante não está danificada antes da eliminação apropriada.

	Eliminação correcta deste produto
	<p>Esta marca indica que este produto não deve ser descartado com outros resíduos domésticos em toda a UE. Para evitar possíveis danos ao meio ambiente ou à saúde humana causados pelo descarte não controlado de resíduos, recicle-os de forma responsável para promover a reutilização sustentável de recursos materiais. Para devolver o dispositivo que utilizou, use os sistemas de devolução e recolha ou entre em contacto com o revendedor onde o produto foi comprado. Eles podem levar este produto para reciclagem ambientalmente segura.</p>

## SUGESTÃO DE USO DO APARELHO

Para evitar a contaminação dos alimentos, respeite as seguintes instruções:

- Abrir a porta durante longos períodos pode causar um aumento significativo da temperatura nos compartimentos do aparelho.
- Limpe regularmente as superfícies que possam entrar em contacto com alimentos e sistemas de drenagem acessíveis.
- Limpe os reservatórios de água se não tiverem sido usados durante 48 h; lave o sistema de água conectado a um fornecimento de água, se não foi retirada água durante 5 dias. (Especial para modelos com tanques de água)
- Guarde carne e peixe crus em recipientes adequados no refrigerador, para que não fiquem em contacto ou pinguem sobre outros alimentos.
- Os compartimentos de comida congelada de duas estrelas são adequados para guardar alimentos pré-congelados, guardar ou fazer gelados e fazer cubos de gelo.
- Compartimentos de uma, duas e três estrelas não são adequados para o congelamento de alimentos frescos.
- Se o aparelho de refrigeração ficar vazio durante longos períodos, desligue, descongele, limpe, seque e deixe a porta aberta para evitar o desenvolvimento de bolor dentro do aparelho.
- **NOTA:** A informação abaixo serve apenas para referência, dado que as funções podem variar consoante os modelos. Obtenha mais detalhes no manual eletrónico.

Ordem	Tipo de compartimentos	Temp. de armazenamento alvo [°C]	Alimentos apropriados	Período de conservação
1	Frigorífico	+2~+8	Ovos, alimentos cozinhados, alimentos embalados, frutas e legumes, laticínios, bolos, bebidas e outros alimentos não são adequados para serem congelados.	/
2	Quatro estrelas	≤-18	Marisco, produtos aquáticos de água doce e carnes.	≤3 meses
3	Três estrelas	≤-18		≤2 meses
4	Duas estrelas	≤-12		≤1 mês
5	Uma estrela	≤-6		
6	Zero estrelas	-6~0	Porco fresco, carne de boi, peixe, frango, alguns alimentos processados embalados etc. Alimentos processados parcialmente embalados (alimentos não congeláveis)	≤3 dias
7	Arrefecimento	-3~+3	Marisco, porco, carne de boi, frango, produtos aquáticos de água doce etc.	2~7 dias
8	Alimentos frescos	0~+4	Porco fresco, carne de boi, peixe, frango, alimentos cozinhados etc.	≤3 dias
9	Vinho	+5~+20	Vinho tinto, vinho branco, vinho espumante, etc.	/

# Hisense

life reimagined



## GEBRUIKERHANDLEIDING

Alvorens dit apparaat te gaan bedienen, moet u deze gebruikershandleiding zorgvuldig doorlezen en voor toekomstig gebruik bewaren.

Dit is een korte versie van de gebruikershandleiding. Scan voor meer informatie de QR-code hierboven om de volledige versie van de handleiding te bekijken.

### OPMERKING:

1. Stel uw mobiele apparaat of tablet in op staand tijdens het doorbladeren van elektronische handleidingen voor de beste kijkervaring.
2. Om ervoor te zorgen dat het downloaden van de elektronische handleidingen soepel verloopt, raden we Google Chrome, Microsoft Edge of de Safari-browser aan te gebruiken.

NL

Nederlands

## VEILIGHEIDS-EN WAARSCHUWINGSINFORMATIE

### Voordat u het apparaat voor het eerst gebruikt

Lees voordat u het apparaat aansluit op het elektriciteitsnet aandachtig de gebruiksaanwijzing die het apparaat en het correcte en veilige gebruik ervan beschrijft. De instructies zijn van toepassing op verschillende typen/modellen apparaten; het is dus mogelijk dat hierin instellingen of apparatuur worden beschreven die niet beschikbaar zijn in uw apparaat. We raden aan deze gebruiksaanwijzing te bewaren voor toekomstig gebruik en bij het apparaat te voegen als het in de toekomst wordt verkocht.

Controleer uw apparaat op beschadigingen of onregelmatigheden. Als u vaststelt dat uw apparaat beschadigd is, moet u de verkoper waar u het apparaat hebt gekocht hiervan op de hoogte stellen.

Laat het apparaat minimaal 2 uur in verticale positie staan voordat u het aansluit op het elektriciteitsnet. Dit verkleint de kans op storingen door het effect van transport op het koelsysteem.

### Belangrijke veiligheidsinstructies



#### WAARSCHUWING

#### Brandgevaar/brandbare materialen

Het apparaat moet worden aangesloten op het elektriciteitsnet en worden geaard volgens de geldende normen en voorschriften.

**WAARSCHUWING!** Niet meerdere draagbare stopcontacten of verlengsnoeren aan de achterkant van het apparaat plaatsen.

Haal de stekker uit het stopcontact voordat u het apparaat schoonmaakt (trek het netsnoer uit het stopcontact).

**⚠ WAARSCHUWING!** Als het netsnoer beschadigd is, moet het door de fabrikant, zijn serviceagent of vergelijkbare gekwalificeerde personen worden vervangen om gevaar te voorkomen.

**⚠ WAARSCHUWING!** Bij het positioneren van het apparaat moet u controleren of het netsnoer niet verstrikt of beschadigd is geraakt.

**⚠ WAARSCHUWING!** Het LED-lampje mag niet door de gebruiker worden vervangen! Als het LED-lampje beschadigd is, neemt u contact op met de klantenservice voor assistentie.

## VEILIGHEIDS-EN WAARSCHUWINGSINFORMATIE

**⚠ WAARSCHUWING!** Gebruik geen elektrische apparaten in de opslagruimte voor levensmiddelen van het apparaat, tenzij zij van het type zijn dat wordt aanbevolen door de fabrikant.

**⚠ WAARSCHUWING!** Gebruik geen mechanische apparaten of andere middelen om het ondooiproces te versnellen, andere dan die aanbevolen door de fabrikant.

**⚠ WAARSCHUWING!** Om gevaar als gevolg van een slechte stabiliteit van het apparaat te voorkomen, moet het volgens de instructies worden geïnstalleerd.

### **Gevaar voor bevrozing**

Stop bevroren voedsel nooit in uw mond en raak bevroren voedsel niet aan om bevrozing te voorkomen.

### **Veiligheid van kinderen en kwetsbare personen**

Dit apparaat is niet bestemd voor gebruik door personen (inclusief kinderen) met verminderde lichamelijke, zintuiglijke of geestelijke vermogens of een gebrek aan ervaring en kennis, tenzij zij onder toezicht staan of instructies hebben gekregen over het gebruik van het apparaat van een persoon die verantwoordelijk is voor hun veiligheid.

Kinderen moeten onder toezicht staan om ervoor te zorgen dat ze niet met het apparaat spelen.

Reinigings- en onderhoudswerkzaamheden mag niet zonder toezicht door kinderen worden gedaan.

Verwijder de verpakking die bedoeld is om het apparaat of bepaalde onderdelen tijdens het transport te beschermen en houd deze buiten het bereik van kinderen. Er bestaat gevaar voor verwonding of verstikking.

Als u een gebruikt apparaat verwijdert, moet u het netsnoer loskoppelen, de deur verwijderen en de schappen in het apparaat laten zitten. Dit voorkomt dat kinderen zichzelf opsluiten in het apparaat.

### **Alleen voor Europese markten**

Dit apparaat kan door kinderen van 8 jaar en ouder en personen met verminderde fysieke, sensorische of mentale capaciteiten of gebrek aan ervaring en kennis worden gebruikt als zij op een veilige manier geïnstrueerd zijn over het gebruik van het apparaat en de betrokken gevaren hebben begrepen.

Kinderen mogen niet met het apparaat spelen.

## VEILIGHEIDS-EN WAARSCHUWINGSINFORMATIE

Reinigings-en onderhoudswerkzaamheden mag niet zonder toezicht door kinderen worden gedaan.

Kinderen in de leeftijd van 3 tot 8 mogen in werking zijnde koelende apparaten vullen en leegmaken.

### Waarschuwing met betrekking tot het koelmiddel

Het apparaat bevat een kleine hoeveelheid van een milieuvriendelijk maar brandbaar gas R600a. Controleer of er geen onderdelen van het koelsysteem beschadigd zijn. Een gaslek is niet gevaarlijk voor het milieu, maar kan wel oogletsel of brand veroorzaken.

In geval van een gaslek moet u de ruimte grondig ventileren, de stekker van het apparaat uit het stopcontact halen en een servicetechnicus bellen.

### Belangrijke informatie over het gebruik van het apparaat

**WAARSCHUWING!** Dit apparaat is bedoeld voor gebruik in huishoudelijke en soortgelijke toepassingen zoals:

- personeelkeukens in winkels, kantoren of andere werkomgevingen;
- boerderijen en bij klanten in hotels, motels en andere type woonomgevingen;
- bed en breakfast type omgevingen;
- catering en dergelijke niet-retail toepassingen.

**⚠ WAARSCHUWING!** Ventilatieopeningen in de behuizing van het apparaat of in een ingebouwde structuur vrij van obstakels houden.

Het apparaat mag niet buitenshuis worden gebruikt en mag niet worden blootgesteld aan regen.

Geen explosieve stoffen zoals aerosol blikjes met brandbaar drijfgas in dit apparaat bewaren.

Als het apparaat langere tijd niet wordt gebruikt, schakel het dan uit met de betreffende knop en trek de stekker uit het stopcontact. Maak het apparaat leeg, ontdooi het, maak het schoon en laat de deur op een kier staan.

Open in geval van een storing of stroomstoring het vriesvak niet, tenzij de vriezer langer dan 16 uur niet heeft gewerkt. Gebruik na deze periode het ingevroren voedsel of zorg voor voldoende koeling (bijv. een vervangend apparaat).

### Technische informatie over het apparaat

Het typeplaatje bevindt zich in het interieur van het apparaat. Het bevat gegevens over de spanning, het bruto- en nettovolume, het type en de hoeveelheid koelmiddel en informatie over de klimaatklassen.

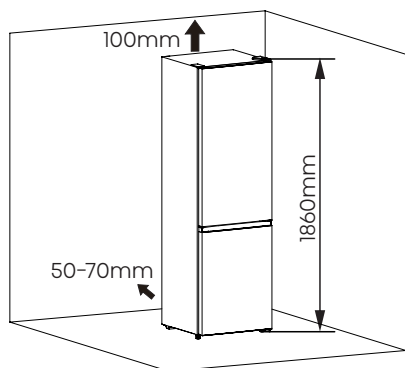
## VEILIGHEIDS-EN WAARSCHUWINGSINFORMATIE

Als de taal op het typeplaatje niet de taal van uw keuze of van uw land is, vervang deze dan door de bijgeleverde taal.

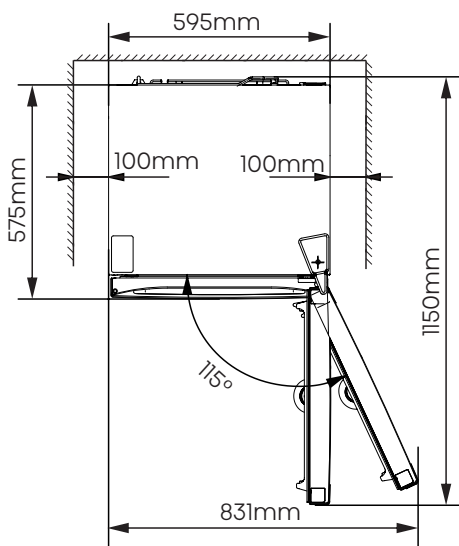
**⚠ WAARSCHUWING!** Het koelcircuit niet beschadigen.

## INSTALLEREN VAN UW NIEUW APPARAAT

- Zet het apparaat op een droge en goed geventileerde plaats. Houd het apparaat niet in direct zonlicht, regen of vorst.
- Het diagram toont het temperatuurbereik van elke klimaatklasse. De klimaatklasse van dit apparaat staat vermeld op het typeplaatje. Gebruik buiten dit bereik kan leiden tot slechte prestaties.
- Rondom het apparaat moet voldoende vrije ruimte zijn voor ventilatie en warmteafvoer.
- De voorgestelde ruimte is aangegeven in de afbeelding.

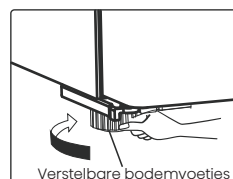
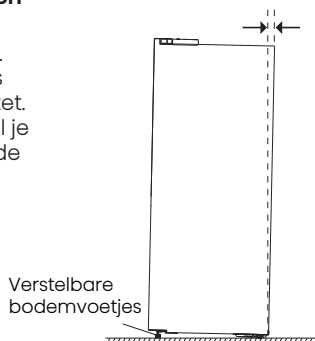


Klimaatklasse	Omgevingstemperatuur
SN	+10°C tot +32°C
N	+16°C tot +32°C
ST	+16°C tot +38°C
T	+16°C tot +43°C



### Waterpas zetten van het apparaat (indien nodig):

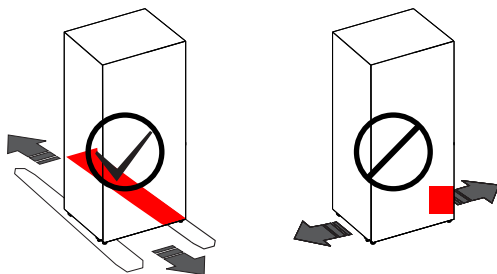
- De afbeelding dient alleen ter referentie.
- Het apparaat is voorzien van stelvoetjes waarmee het waterpas kan worden gezet.
- Om de deuren zelf te laten sluiten, kantel je de bovenkant naar achteren door aan de verstelbare voetjes te draaien.



## INSTALLEREN VAN UW NIEUW APPARAAT

### ! WAARSCHUWING

- Voor een correcte installatie moet deze koelkast op een vlak oppervlak van hard materiaal dat dezelfde hoogte als de rest van de vloer worden geplaatst. Dit oppervlak moet sterk genoeg om een volledig geladen koelkast te ondersteunen.
- De rollers mogen alleen worden gebruikt voor voorwaartse of achterwaartse beweging. Bij het zijwaarts verplaatsen van u de koelkast, kan uw vloer en de rollen beschadigd raken.



## BESCHRIJVING VAN HET APPARAAT

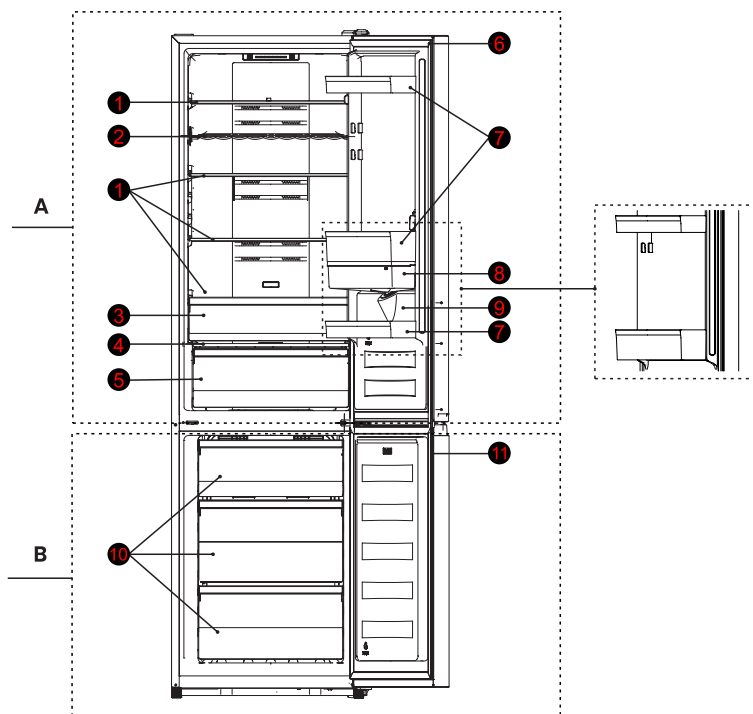
- De binnenuitrusting van het apparaat kan anders zijn afhankelijk van het model.
- Het schema kan enigszins afwijken van het apparaat dat u hebt gekocht. Meer informatie vindt u in de E-handleiding.

### A: Koelkast

1. Glazen legplanken
2. Flessenrek \*
3. Laden
4. Groenteladedeksel
5. Groentelade
6. Deurpakking
7. Deurrek
8. Watertank \*\*
9. Waterdispenser \*

### B: Vriezer

10. Laden
11. Deurpakking



\* : Alleen in sommige modellen.

\*\* : Als het model geen waterdispenser heeft, wordt de watertank vervangen door een deurrek.

## BEDIENINGSPANEEL

**OPMERKING:** Het bedieningspaneel kan per model verschillen, dus kies op basis van uw apparaat. Raadpleeg de E-handleiding voor meer informatie.

Voor een optimale conservering van voedsel raden wij aan dat de temperatuur van de koelkast bij de eerste keer opstarten op 4°C wordt ingesteld. Volg de onderstaande instructies als je de temperatuur wilt wijzigen.

**OPMERKING:** Een hoge temperatuurinstelling versnelt voedselverpilling.

### Let op!

Wanneer u een temperatuur instelt, stelt u de gemiddelde temperatuur voor de hele koelkast in. Temperaturen in elk compartiment kunnen afwijken van de temperatuurwaarden die op het paneel worden weergegeven, afhankelijk van hoeveel voedsel u opslaat en waar u het plaatst. Een kamertemperatuur kan ook de werkelijke temperatuur in het apparaat beïnvloeden.

### TYPE 1: Displaypaneel in deur



#### Koelkast

- Druk op "°C" om de temperatuur van de koelkast in te stellen tussen 2°C en 8°C zoals gewenst, en het displaypaneel geeft de overeenkomstige waarden weer in de volgende volgorde.

#### Super Freeze (Super Vriezen)

Super Freeze zal de temperatuur binnen de vriezer snel verlagen, zodat het voedsel sneller invriezen.

- U kunt "°C" gedurende 3 seconden indrukken om in de Super Freeze modus te komen, de vriestemperatuur wordt ingesteld op -24°C.
- Super Freeze zal automatisch na 52 uur uitschakelen en vervolgens keert de temperatuurinstelling van de vriezer terug naar de vorige instelling.

#### Vakantie

Indien u voor een langere periode afwezig zult zijn, drukt u op "°C", om deze functie te activeren.

- Wanneer de vakantiemodus is geactiveerd, zal het lampje gaan branden. De vriezertemperatuur zal worden ingesteld op -18°C en de koelkasttemperatuur ingesteld op 15°C.

### Belangrijk!

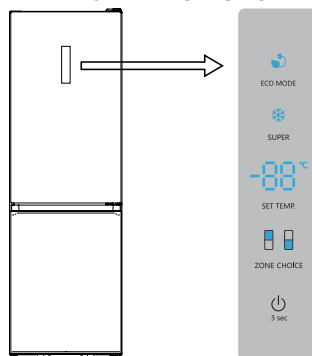
Bewaar geen voedsel in de koelkast gedurende deze tijd.

#### Schakelaar

U kunt uw apparaat in- of uitschakelen door op deze knop te drukken.

- Druk gedurende 1 seconde op "°C", nadat een zoemer valt te horen, zal het apparaat worden ingeschakeld.
- Druk gedurende 3 seconden op "°C", nadat een zoemer valt te horen, zal het apparaat worden uitgeschakeld.

### TYPE 2: Weergavedisplay op de deur



#### Koelkast

Druk op "ZONE CHOICE", het lampje "°C" gaat branden. Druk dan op "SET TEMP.", u kunt de vriezertemperatuur naar wens instellen tussen 2°C en 8°C.

#### Vriezer

Druk op "ZONE CHOICE", wanneer het lampje "°C" gaat branden. Druk vervolgens op "SET TEMP.", u kunt de vriezertemperatuur naar wens instellen tussen de -14°C en de -24°C, en het display zal de overeenkomstige waarden weergeven volgens deze volgorde.

#### Super Freeze (Super Vriezen)

Super Freeze zal de temperatuur binnen de vriezer snel verlagen, zodat het voedsel sneller invriezen.

- U kunt op "SUPER" drukken om naar de Super Freeze modus te gaan, de vriezertemperatuur wordt dan ingesteld op -24°C.

## BEDIENINGSPANEEL

- Super Freeze zal automatisch na 52 uur uitschakelen en vervolgens keert de temperatuurinstelling van de vriezer terug naar de vorige instelling.

### Energiezuinig

Deze functie zorgt ervoor dat de vriezer in een energiebesparende modus werkt, wat handig is om het energieverbruik te verminderen als u weg bent.

- U kunt op "ECO MODE" drukken om de economische energiemodus te kiezen.
- Wanneer de energiezuinige modus geactiveerd is, zal de vriestemperatuur op -17°C worden ingesteld en de koelkasttemperatuur op 6°C.

### Schakelaar

U kunt uw apparaat in- of uitschakelen door op deze knop te drukken.

- Druk gedurende 3 seconden op "⏻", na een zoemergeluid, terwijl het digitale lampje "OF" toont, wordt het apparaat uitgeschakeld.
- Druk gedurende 3 seconde op "⏻", nadat een zoemer valt te horen, zal het apparaat worden ingeschakeld.

### Alarm

- Als de deur van de koelkast langer dan 2 minuten is geopend, gaat het deuralarm af. De zoemer stopt automatisch na 8 minuten.
- Houd de deur niet te lang open om energie te besparen.

## HET APPARAAT GEBRUIKEN

**OPMERKING:** Deze functie is alleen beschikbaar op modellen met waterdispenser.

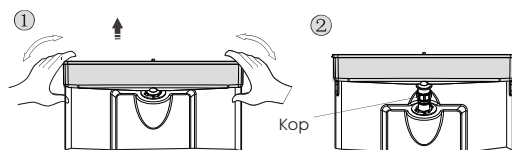
### Waterafgeefinrichting

De waterdispenser levert gekoeld water zonder de koelkast te openen.

### Alvorens in gebruik te nemen

Mak de waterdispenser schoon voor het eerste gebruik.

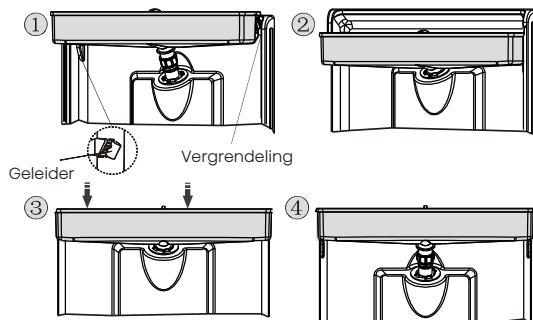
1. Verwijder het waterreservoir door de twee zijkanten vast te houden en het te schudden.
2. Schroef de kop los, reinig deze en de binnenkant van de tank (inclusief beide deksels).
3. Droog het op een natuurlijke manier of met behulp van een droger.



### Monteren

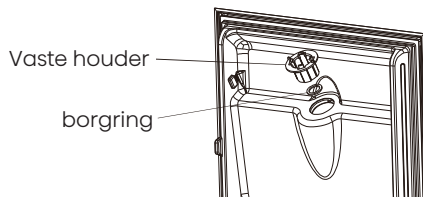
Zet de onderdelen na het reinigen in omgekeerde volgorde weer in elkaar en monteer ze op de deur.

1. Het hoofd in de opening inbrengen.
2. Plaats de tank langs de geleiders.
3. Beide zijden van de tank naar beneden drukken.
4. De installatie is voltooid met een klikgeluid.

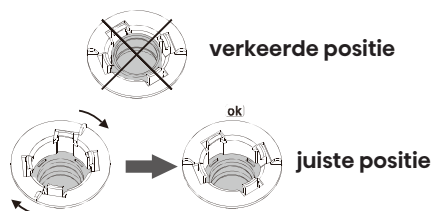


### Waarschuwing

1. Wees voorzichtig om niet op het hoofd te drukken.
2. Bij het monteren van de watertank, controleer dat het hoofd eerst in de opening wordt geplaatst.
3. Als de sluitring omgedraaid of los zit bij het verwijderen van de tank, draai dan eerst de vaste houder los, plaats de sluitring terug en monteer ten slotte de houder opnieuw.

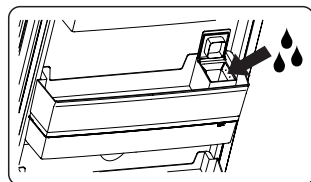


## HET APPARAAT GEBRUIKEN



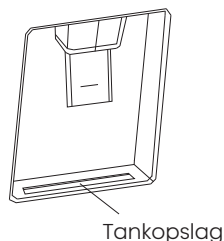
### Water vullen

1. Controleer voordat u de tank vult of deze stabiel staat en goed is geplaatst.
2. Vul de tank tot de voorgestelde 4 liter om overlopen te voorkomen, ofwel door het kleine deksel te verwijderen en te vullen via de inlaat van het grote deksel, ofwel door het deksel van de tank te verwijderen en direct te vullen.



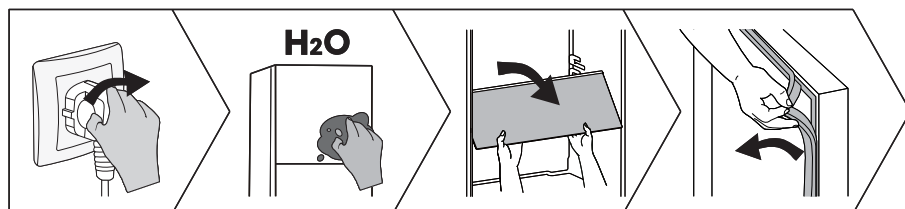
### Waarschuwing

1. Andere dranken (melk, sap, koolzuurhoudende dranken enz.) worden niet aanbevolen om mee te vullen, behalve drinkwater.
2. Het is verboden om heet water in de watertank te doen.
3. Om lekkage van koude lucht te voorkomen, moeten de onderdelen van de waterdispenser (vooral het waterreservoir en de kop) ook geïnstalleerd zijn als ze niet in gebruik zijn.
4. Reinig de tank regelmatig met een droge handdoek voordat deze overloopt.



## REINIGEN EN ONDERHOUD

- Voor de hygiëne moet u het apparaat (exterieur en interieuraccessoires) regelmatig schoonmaken, minstens om de twee maanden.
- Zorg ervoor dat het apparaat volledig droog is voordat u het weer inschakelt en de stekker weer in het stopcontact steekt.
- Veeg de binnenkant van het apparaat af met een zwakke oplossing van zuiveringszout en spoel het daarna af met warm water met een uitgewrongen spons of doek.
- Zorg ervoor dat deurrubbers schoon blijven. Plakkerig eten en drinken kan ervoor zorgen dat de afdichtingen aan de kast blijven plakken. Was de afdichting met een mild reinigingsmiddel en warm water. Afspoelen en het goed drogen na het reinigen.
- Dit product bevat een lichtbron met energie-efficiëntieklasse F.
- Raadpleeg de E-handleiding voor meer informatie over reiniging.



## NUTTIGE AANWIJZINGEN EN TIPS

### Energiebesparende tips

We raden u aan de tips te volgen om energie te besparen.

- Probeer te voorkomen dat de deur lange tijd open te houden.
- Zorg ervoor dat het apparaat uit de buurt van warmtebronnen staat.
- De temperatuur niet kouder instellen dan nodig.
- Geen warm voedsel of verdampingsvloeistof in het apparaat bewaren.

### Uitschakelen van uw apparaat

Als het apparaat voor een langere periode moet worden uitgeschakeld, dienen de volgende stappen dienen te worden genomen om schimmel op het apparaat te voorkomen.

1. Verwijder al het voedsel.
  2. De stekker uit het stopcontact trekken.
  3. De binnen goed reinigen en drogen.
  4. Zorg ervoor dat alle deuren wijd open zijn om lucht te laten circuleren.
- Raadpleeg de E-handleiding voor meer informatie.

## PROBLEEMOPLOSSING

- Als u een probleem ondervindt met uw apparaat of als u vreest dat het apparaat niet goed werkt, kunt u de volgende eenvoudige controles uitvoeren voordat u belt voor service.
- **OPMERKING:** Meer relevante informatie is te vinden in de E-handleiding.



### WAARSCHUWING

Het apparaat niet zelf proberen te repareren. Als het probleem aanhoudt nadat u alle onderstaande controles heeft uitgevoerd, moet u contact opnemen met een gekwalificeerde elektricien, geautoriseerde service engineer of de winkel waar u het product heeft gekocht.



### GEVAAR

Risico voor beknellingsgevaar voor kinderen. Alvorens u uw oude koelkast of diepvriezer afdankt:

- De deuren verwijderen.
- Laat de schappen op hun plaats zodat kinderen er niet makkelijk in kunnen klimmen.

Probleem	Mogelijke oorzaak & Oplossing
Het apparaat werkt niet naar behoren	Controleer of het netsnoer goed is aangesloten op het stopcontact.
	De omgevingstemperatuur is te laag. Probeer de kamertemperatuur op een lagere temperatuur te zetten om dit probleem op te lossen.

## PROBLEEMOPLOSSING

Probleem	Mogelijke oorzaak & Oplossing
Een laag rijp treedt op in het compartiment	Controleer of de ventilatie-openingen niet door voedsel geblokkeerd zijn en zorg ervoor dat voedsel in het apparaat geplaatst is om voldoende ventilatie mogelijk te maken. Zorg ervoor dat de deur volledig gesloten kan worden.
Temperatuur aan de binnenkant is te warm	U heeft mogelijk de deuren te lang of te vaak geopend; of de deuren worden door een obstakel open gehouden; of het apparaat heeft onvoldoende speling aan de zijkant, achterkant en bovenkant.
Kan apparaat niet verbinden met Wi-Fi-netwerk	Het Wi-Fi-wachtwoord is onjuist ingevoerd of het netwerk kon niet worden gevonden. Raadpleeg de elektronische handleiding voor specifieke netwerkconfiguraties.

## AFDANKEN VAN HET APPARAAT

Het is verboden om dit apparaat af te voeren als huishoudelijk afval.

### Verpakkingsmaterialen

Verpakkingsmateriaal met het recycle symbool zijn recyclebaar. Verwijder de verpakking in een geschikte afvalverzamelbak om deze te recycleren.

### Alvorens het afdanken van het apparaat

1. De stekker uit het stopcontact trekken.
2. Het netsnoer afsnijden en samen weggooid met de stekker.



## WAARSCHUWING

Koelkasten bevatten koelmiddel en gassen in de isolatie. Koelmiddel en gassen moeten professioneel worden afgevoerd, omdat ze oogletsel of ontsteking kunnen veroorzaken. Zorg ervoor dat leidingen van het koelcircuit niet beschadigd raken voorafgaand aan het afdanken.

	Correcte verwijdering van dit product
	<p>Deze markering geeft aan dat dit product niet mag worden weggegooid met ander huishoudelijk afval in de hele EU. Om schade aan het milieu en de menselijke gezondheid door ongecontroleerde afvalverwijdering te voorkomen, moet u op een verantwoorde manier recycleren en zo duurzaam hergebruik van grondstoffen te bevorderen. Om uw gebruikte apparaat terug te brengen, dan kunt u gebruik maken van de terugkeer en inzamelsystemen of neem contact op met de winkel waar het product is gekocht. Zij kunnen dit product gebruiken voor milieuvriendelijke recycling.</p>

## SUGGESTIE VOOR HET GEBRUIK VAN HET APPARAAT

Teneinde besmetting van voedsel te voorkomen, gaarne de volgende instructies in acht nemen:

- Het langdurige openen van de deur kan een aanzienlijke verhoging van de temperatuur in de compartimenten van het apparaat veroorzaken.
- De oppervlakken die in contact kunnen komen met voedsel en toegankelijke afvoersystemen regelmatig reinigen.
- Reinig de watertanks indien deze gedurende 48 uur niet zijn gebruikt; het watersysteem aangesloten op een water toevoer doorspoelen, indien het water de afgelopen 5 dagen niet heeft gestroomd. (Speciaal voor modellen met watertanks)
- Bewaar rauw vlees en vis in daarvoor geschikte opslagbakken in de koelkast, zodat het niet in contact komt met of druipt op ander voedsel.
- Diepvriesvakken met twee-sterren zijn geschikt voor het bewaren van diepgevroren voedsel, bewaren en maken van ijs en ijsblokjes maken.
- Compartimenten met één, twee en drie sterren zijn niet geschikt voor het invriezen van vers voedsel.
- Indien het koelapparaat gedurende lange perioden leeg zal staan, deze uitschakelen, ontthooien, reinigen, drogen, en de deur open laten staan teneinde schimmelvorming in het apparaat te voorkomen.
- **OPMERKING:** De onderstaande informatie is alleen bedoeld als referentie, aangezien de functies per model kunnen verschillen. Meer informatie vindt u in de E-handleiding.

Volgorde	Compartimenten type	Doelopslag temp. [°C]	Geschikt voedsel	Houdbaarheid
1	Koelkast	+2~+8	Eieren, gekookt voedsel, verpakt voedsel, fruit en groenten, zuivelproducten, cake, dranken en andere voedingsmiddelen zijn niet geschikt om in te worden ingevroren.	/
2	Vier sterren	≤-18	Zeevruchten, zoetwaterproducten en vlees.	≤3 maanden
3	Drie sterren	≤-18		≤2 maanden
4	Twee sterren	≤-12		≤1 maand
5	Een ster	≤-6		
6	Nul ster	-6~0	Vers varkensvlees, rundvlees, vis, kip, sommige verpakte verwerkte voedingsmiddelen, enz. Gedeeltelijk verpakt/gewikkeld verwerkt voedsel (niet-in te vriezen voedsel)	≤3 dagen
7	Chill	-3~+3	Zeevruchten, varkensvlees, rundvlees, kip, zoetwater-waterproducten, enz.	2~7 dagen
8	Vers Voedsel	0~+4	Vers varkensvlees, rundvlees, vis, kip, gekookt voedsel, enz.	≤3 dagen
9	Wijn	+5~+20	Rode wijn, witte wijn, mousserende wijn enz.	/

**Hisense**  
life reimagined